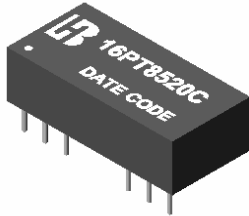


**Bothhand USA    email:sales@bothhandusa.com    http://www.bothhandusa.com**  
**10/100 BASE-T TRANSFORMER**  
**P/N:16PT8520C DATA SHEET**

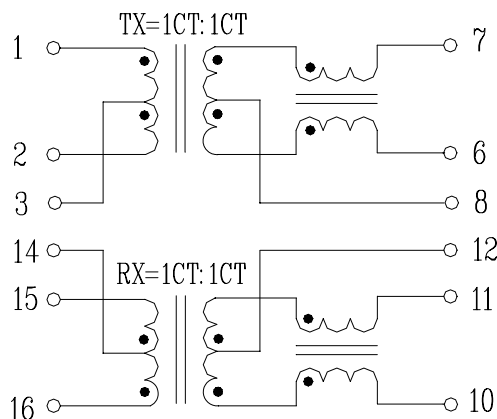
**Feature**



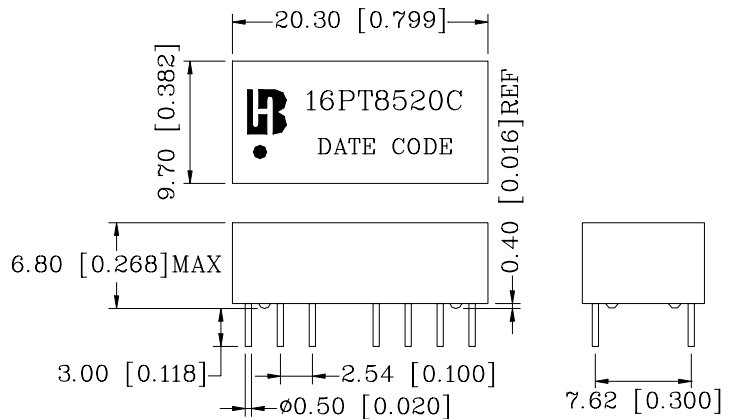
- Compliant with IEEE 802.3 E and ANSI X3.263 standards including 350uH OCL with 8mA Bias.
- Operating temperature range: 0°C to +70°C.
- Storage temperature range: -25°C to +105°C.

Electrical Specifications @ 25°C							
Part Number	Turn Ratio (±3%)	OCL(uH Min ) @100KHz/0.1V with 8mA DC Bias	C <sub>WW</sub> (pF Max)	L.L (uH Max)	Rise Time (nS Typ)	HI-POT (Vrms)	
	TX/RX						
16PT8520C	1CT: 1CT	350	28	0.6	2.5	1500	
Continue							
Part Number	Insertion Loss (dB Max)	Return Loss (dB Min)				Cross talk (dB Min)	DCMR (dB Min)
	0.3-100MHz	0.5-30MHz	40MHz	50MHz	60-80MHz	0.3-100MHz	0.3-100MHz
16PT8520C	-1.1	-16	-15	-13	-11	-35	-30

**Schematic**



**Mechanical**



Units: mm[Inches]    Tolerances: xx.x0±0.25[0.010]  
0.xx±0.05[0.002]