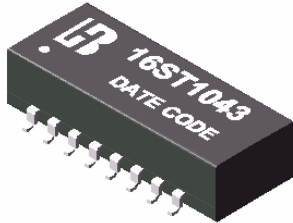




### 10/100BASE-T SINGLE PORT TRANSFORMER MODULES

### P/N: 16ST1043 DATA SHEET

#### Feature



- Designed for 100MB/S and 150MB/S transmission over UTP-5 and STP cable.
- 155 ATM, 100 BASE-TX and TP-FDDI applications.
- Cable interface for isolation and low common mode emissions.
- Fully integrated modules for multi-port concentrators and adapter card applications.
- 16-PIN SMD package, pick and place compatible.
- Operating temperature range: 0 to +70 .
- Storage temperature range: -25 to +125 .

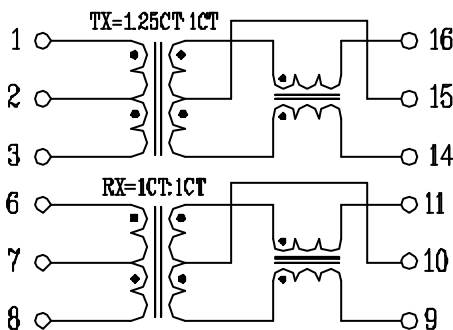
#### Electrical Specifications @ 25° C

Part Number	Turns Ratio (±5%)		OCL(uH Min) @100KHz/0.1V with 8mA DC Bias	L.L (uH Max)		C <sub>www</sub> (pF Max)	HI-POT (Vrms)
	TX	RX		TX	RX		
16ST1043	1.25CT:1CT	1CT:1CT	350	1.0	0.6	28	1500

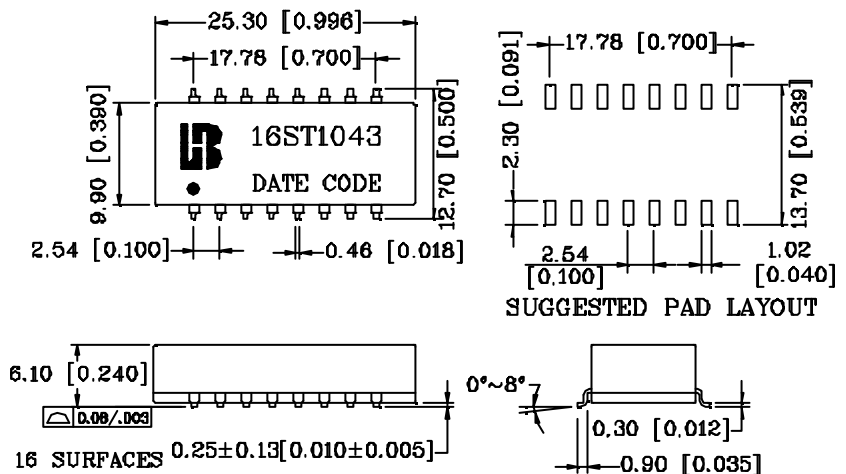
#### Continue

Part Number	Insertion Loss (dB Max)	Return Loss (dB Min)					Cross talk (dB Min)		DCMR (dB Min) TX/RX		
		0.3-100 MHz	30MHz	40MHz	50MHz	60MHz	80MHz	0.3-60MHz	60-100MHz	30MHz	60MHz
16ST1043	-1.15	-16	-14	-13.5	-13	-12	-45	-35	-40	-30	-25

#### Schematic



#### Mechanical



Units: mm [Inches] Tolerances: xx.x0±0.25 [0.010]  
0.xx±0.06 [0.002]