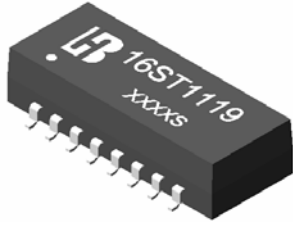


10/100BASE-T SINGLE PORT TRANSFORMER MODULES

P/N: 16ST1119 DATA SHEET

Feature

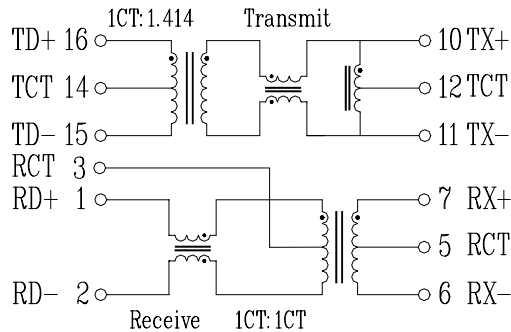


- Meets all IEEE802.3 and ANSI X3.263 standards including 350uH OCL with 8mA Bias.
- Designed for use with transceivers from AMD•KENDIN Semiconductor•and Quality Semiconductor.
- IC grade transfer-molded package suitable for reflow soldering temperatures up to 235°C.
- Patented interlock base construction for high reliability.
- Operating temperature range:0°C to +70°C.
- Storage temperature range:-25°C to +125°C.

Electrical Specifications @ 25°C

| Part Number | Turns Ratio (±5%) |           | Insertion Loss (dB Max) | Return Loss (dB Min) |       |       | Cross Talk (dB Min) |           | HI-POT (Vrms) |
|-------------|-------------------|-----------|-------------------------|----------------------|-------|-------|---------------------|-----------|---------------|
|             | RX                | TX        |                         | 30MHz                | 60MHz | 80MHz | 0.3-60MHz           | 60-100MHz |               |
| 16ST1119    | 1CT:1CT           | 1CT:1.414 | -2.0                    | -16                  | -11   | -10   | -45                 | -35       | 1500          |

Schematic



Mechanical

