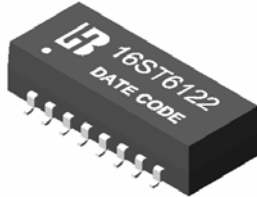


P/N: 16ST6122 DATA SHEET

Feature

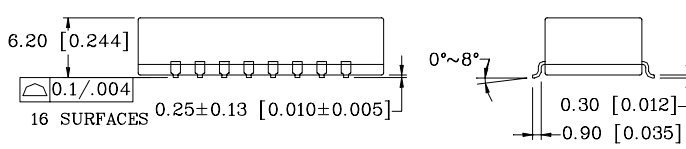
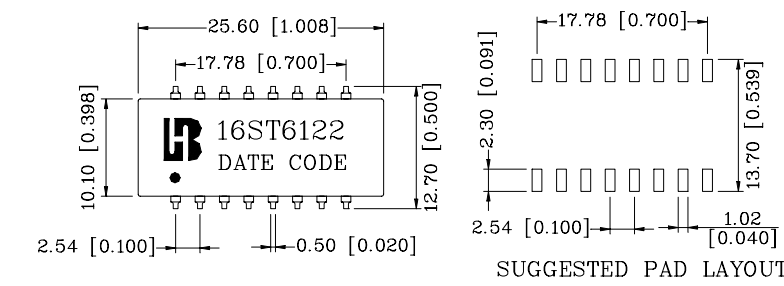
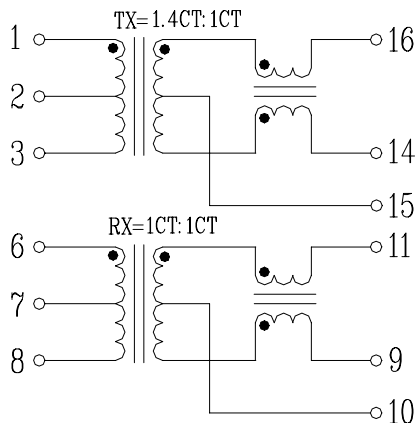


- 16-PIN SMD package to meet 10/100 MB/S specification
- Low leakage inductance and winding capacitances for fast rise time.
- High isolation voltages to comply with international safety requirements for LANS.
- More economical than discrete transformers. 2 transformers per package
- Operating temperature range: 0°C to +70°C.
- Storage temperature range: -25°C to +125°C.

Electrical Specifications @ 25°C											
Part Number	Turns Ratio (±5%)		OCL (uH Min) @100KHz/0.1Vrms with 8mA/DC Bias	L.L (uH Max)		C _{w/w} (pF Max)	PRI Pins	DCR (Ω Max)		HI-POT (Vrms)	
	TX	RX		TX	RX			1-3	11-9		
16ST6122	1.4CT:1CT	1CT:1CT	350	0.6	0.4	25	(1-3)&(6-8)	0.9	1.10	1500	
Continue											
Part Number	Insertion Loss (dB Max)	Return Loss (dB Min)					Cross talk (dB Min)		DCMR (dB Min)		
		0.3-100 MHz	30MHz	40MHz	50 MHz	60 MHz	80MHz	0.3-60MHz	60-100MHz	30MHz	60 MHz
16ST6122	-1.15	-16	-14	-13.5	-13	-12	-45	-35	-40	-30	-25

Schematic

Mechanical



Units: mm[Inches] Tolerances: xx.x0±0.25[0.010]
 0.xx±0.05[0.002]