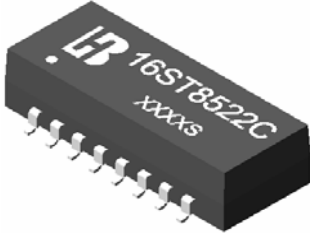


10/100 BASE-T SINGLE PORT TRANSFORMER MODULES

P/N: 16ST8522C DATA SHEET

Feature



- Compliant with IEEE 802.3u and ANSI X3.236-1995 standard.
- Including 350uH Min OCL with 8mA DC Bias form 0• to 70•.
- Models designed to support RJ-45 connectors.(STP and UTP-5 cable).
- IC-grade transfer molded package withstands 230±5•peak temperature profile.
- Designed for 10/100 BASE-TX,100 BASE-TX ,ATM 155Mb/s,and TP-FDDI applications.
- Operating temperature range:0°C to +70°C.
- Storage temperature range:-25°C to +125°C.

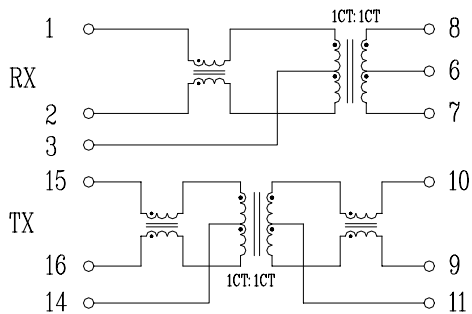
Electrical Specifications @ 25°C

Part Number	Turns Ratio (±5%)		Rise Time (nS Max)	Isolation Voltage (Vrms)	CMR TX/RX(dB Min)		
	RX	TX			0.3-60MHz		
16ST8522C	1CT:1CT	1CT:1CT	5	1500	-40		

Continue

Part Number	Insertion Loss (dB Max)	Return Loss TX/RX(dB Min)		Cross talk (dB Min)		DCMR TX/RX(dB Min)		
		0.3-100 MHz	1-60MHz	60-100MHz	0.3-60MHz	60-100MHz	30MHz	60MHz
16ST8522C	-1.1	-15/-17	-11/-15	-45	-35	-42	-35	-28

Schematic



Mechanical

