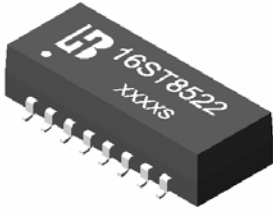


10/100 BASE-T SINGLE PORT TRANSFORMER MODULES

P/N: 16ST8522 DATA SHEET

Feature

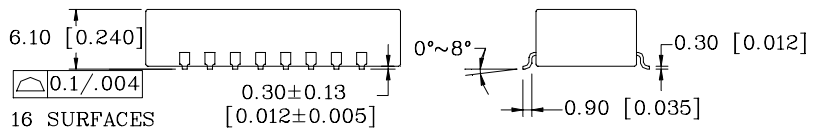
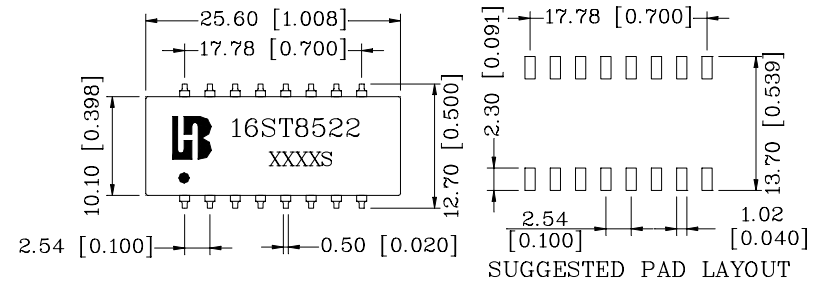
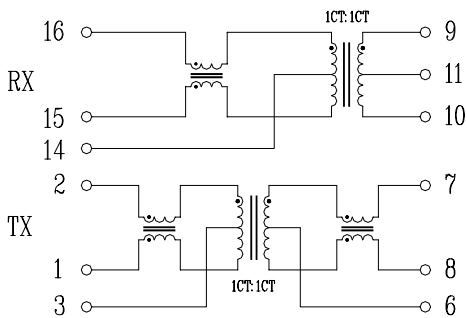


- Designed for 100MB/s and 155MB/s transmission over UTP-5 and STP cable.
- Operating temperature range: 0°C to +70°C.
- Storage temperature range: -25°C to +125°C.

Electrical Specifications @ 25°C											
Part Number	Turns Ratio (±5%)		Rise Time (nS Max)	Isolation Voltage (Vrms)		CMR TX/RX(dB Min)		0.3-60MHz			
	RX	TX				-40					
16ST8522	1CT:1CT	1CT:1CT	5	1500		-40					
Continue											
Part Number	Insertion Loss (dB Max)	Return Loss (dB Min)					Cross talk (dB TYP)		DCMR TX/RX(dB Min)		
		0.3-100 MHz	30MHz	40MHz	50MHz	60MHz	80MHz	0.3-60MHz	60-100MHz	30MHz	60MHz
16ST8522	-1.15	-16	-14	-13.5	-13	-12	-45	-35	-42	-35	-28

Schematic

Mechanical



Units: mm [Inches] Tolerances: xx.x0±0.25 [0.010]
0.xx±0.05 [0.002]