



P/N: 20PT1021IZ DATA SHEET

Feature



- Compliant with IEEE 802.3u and ANSI X3.263 standards including 350uH OCL with 8mA Bias.
- Operating temperature range : 0°C to +70°C.
- Storage temperature range: -25°C to +105°C.

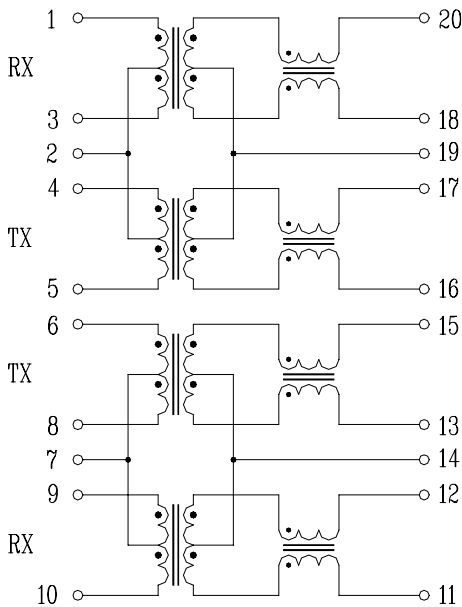
Electrical Specifications @ 25°C

Part Number	Turns Ratio (±5%)		OCL(uH Min) @100KHz/0.1V 8mA DC Bias	L.L (uH Max)	C _{WW} (pF Max)	Rise Time (nS Typ)	DCR (TX /RX) (Ω Max)	HI-POT (Vrms)
	TX	RX						
20PT1021IZ	1CT:1CT	1CT:1CT	350	0.5	50	2.5	0.9	1500

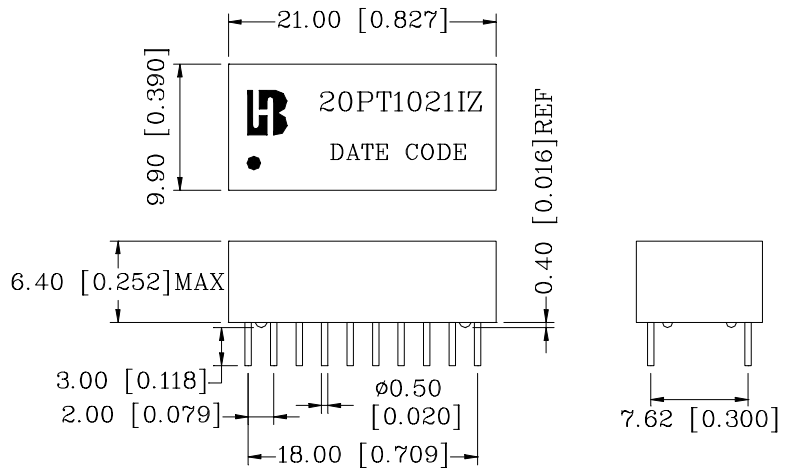
Continue

Part Number	Insertion Loss (dB Max)	Return Loss (dB Min)			Cross talk (dB Min)	DCMR (dB Min)
	0.3-100MHz	0.3-30MHz	30-60MHz	60-80MHz	0.3-100MHz	0.3-100MHz
20PT1021IZ	-1.15	-18	-14	-12	-35	-30

Schematic



Mechanical



Units: mm [Inches] Tolerance: xx.x0±0.25 [0.010]
0.xx±0.05 [0.002]