



10/100 BASE-TX DUAL DIP PORT  
TRANSFORMER APPLY TO MDIX

### P/N: 20PT1021SX LF DATA SHEET

#### Feature



- Compliant with IEEE802.3u and ANSI X3.263 standards including 350uH OCL with 8mA Bias.
- Symmetrical TX and RX channels for Auto MDI/MDIX capability.
- Lead free for external pins.
- Operating temperature range :0 to +70 .
- Storage temperature range: -25 to +105 .

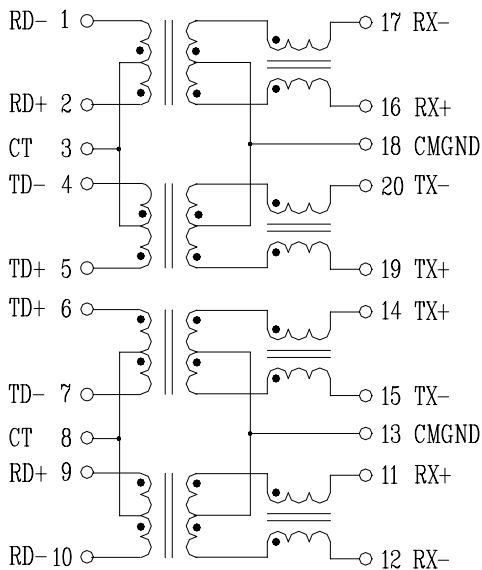
#### Electrical Specifications @ 25°C

Part Number	Turns Ratio (±5%)TX/RX	OCL(uH Min) @100KHz/0.1V with 8mA DC Bias	L.L (uH Max)	C <sub>w/w</sub> (pF Max)	Rise Time (nS Typ)	DCR ( Max)	HI-POT (Vrms)
20PT1021SX LF	1CT:1CT	350	0.5	50	2.5	0.9	1500

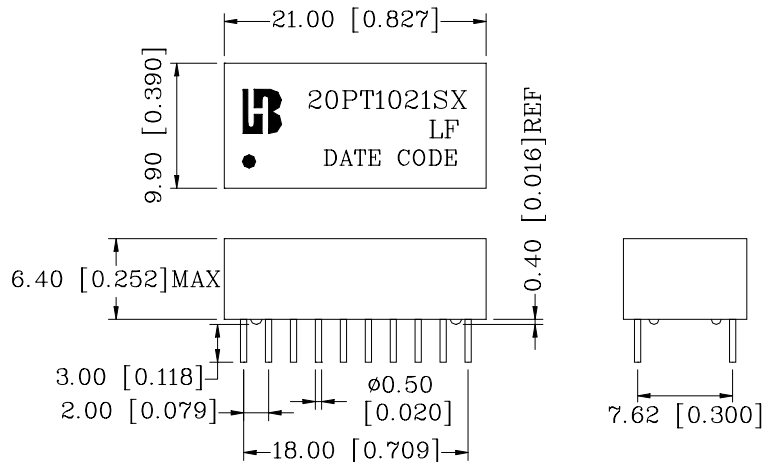
#### Continue

Part Number	Insertion Loss (dB Max)	Return Loss (dB Min)			Cross talk (dB Min)	DCMR (dB Min)
		0.3-30MHz	30-60MHz	60-80MHz		
20PT1021SX LF	-1.15	-18	-14	-12	-35	-30

#### Schematic



#### Mechanical



Units: mm[Inches] Tolerance: xx.x0±0.25[0.010]  
0.xx±0.05[0.002]