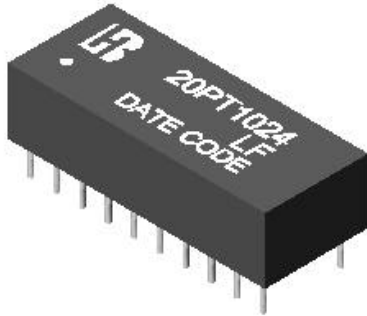




P/N:20PT1024 LF DATA SHEET

Feature



- Compliant with IEEE 802.3u and ANSI X3.263 standards including 350 μ H OCL with 8mA Bias.
- Symmetrical TX and RX channels for Auto MDI/MDIX capability.
- Approved for use with the Broadcom BCM 5226 and Level One LXT9784.
- Lead free for external pins.
- Operating temperature range : 0 to +70 .
- Storage temperature range: -25 to +125 .

Electrical Specifications @ 25°C

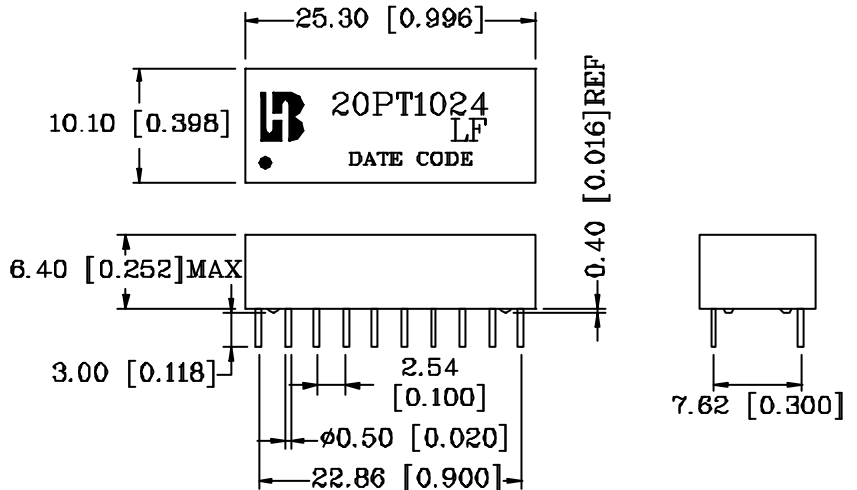
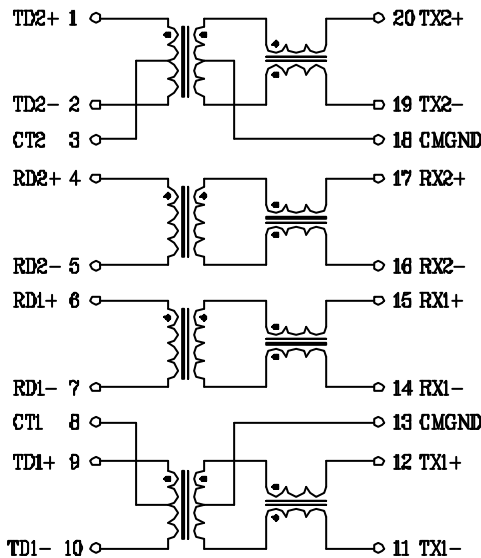
Part Number	Turns Ratio ($\pm 5\%$)		OCL (μ H Min) @100KHz/0.1Vrms with 8mA DC/Bias	Insulation Resistance (M) @ 50Vdc	DCR (Max)	HI-POT (Vrms)
	TX	RX				
20PT1024 LF	1CT:1CT	1:1	350	10,000	0.9	1500

Continue

Part Number	Insertion Loss (dB Max)	Return Loss (dB Min)			Cross talk (dB Min)	DCMR (dB Min)
		0.3-30MHz	30-60MHz	60-80MHz		
20PT1024 LF	-1.1	-18	-14	-12	-35	-30

Schematic

Mechanical



Units: mm [Inches] Tolerances xx.x0 \pm 0.25 [0.010]
0.xx \pm 0.05 [0.002]