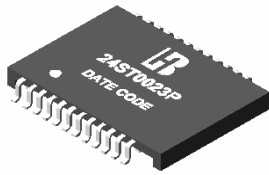


10/100 PC CARD LAN MAGNETICS SOLUTIONS

P/N: 24ST0023P DATA SHEET

Feature

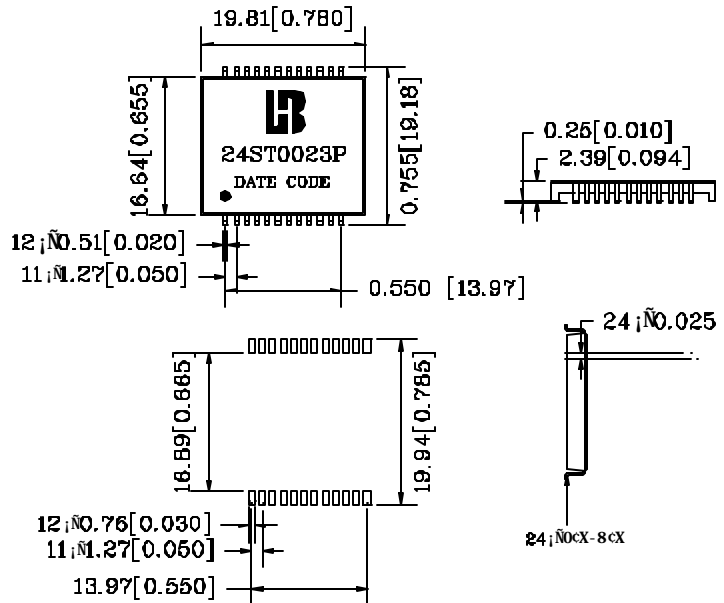
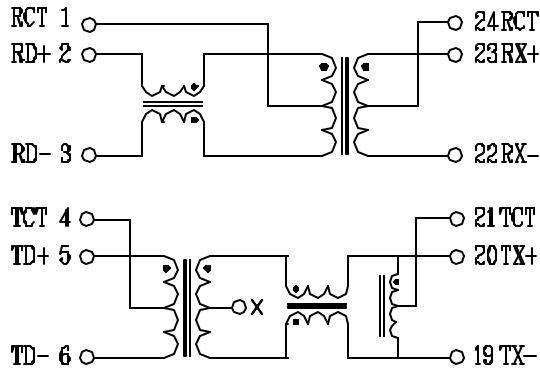


- Half port and single port designs for maximum layout flexibility.
- Compatible with Intel, TDK, QSI, and ICS.
- Low profile packages from .094”(2.39mm)to.078”(1.98mm) for PC Card and Card bus applications.
- Storage temperature range: -25°C to +125°C.
- Operating Temperature range: 0°C to +70°C.

Electrical Specifications @ 25°C							
Part Number	Turns Ratio (±5%)		HI-POT (Vrms)	Return Loss (dB Min)			Insertion Loss (dB Max) 0.3-100 MHz
	TX	RX		30MHz	60MHz	80MHz	
24ST0023P	1CT:1	1CT:1CT	1500	-18	-14	-12	-2.0
Continue							
Part Number	Cross talk (dB Min)			DCMR TX/RX(dB Min)			
	30MHz	62MHz	100MHz	30MHz	50MHz	100MHz	150MHz
24ST0023P	-50	-45	-40	-40	-35	-30	-20

Schematic

Mechanical



Units: mm[inches] Tolerance: xx.x0 ± 0.25 [0.010]  
0.xx ± 0.05 [0.002]