

**P/N: 24ST0023P DATA SHEET**

Page : 1/1

Feature

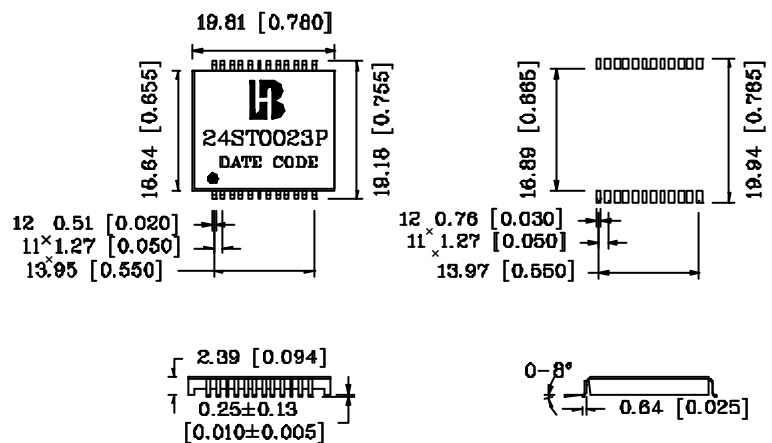
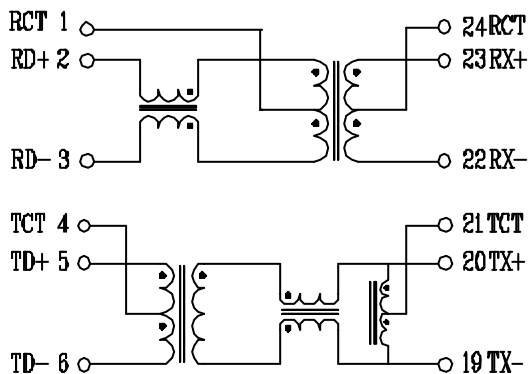
- Half port and single port designs for maximum layout flexibility.
- Compatible with Intel, TDK, QSI, and ICS.
- Low profile packages from .094" (2.39mm) to .078" (1.98mm) for PC Card and Card bus applications.
- Operating Temperature range: 0 to +70 .
- Storage temperature range: -25 to +125 .

Electrical Specifications @ 25°C

Part Number	Turns Ratio (±5%)		Insertion Loss (dB Max)	Return Loss (dB Min)			HI-POT (Vrms)
	TX	RX		30MHz	60MHz	80MHz	
24ST0023P	1CT:1	1CT:1CT	-2.0	-18	-14	-12	1500

Continue

Part Number	Cross talk (dB Min)			DCMR (dB Min)			
	30MHz	62MHz	100MHz	30MHz	50MHz	100MHz	150MHz
24ST0023P	-50	-45	-40	-40	-35	-30	-20

Schematic**Mechanical**

Units: mm [inches] tolerance: xx.x0±0.25 [0.010]
0.xx±0.05 [0.002]