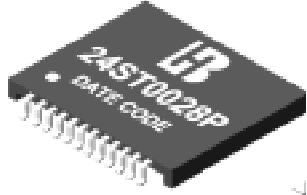




**P/N: 24ST0028P DATA SHEET**

**Feature**



- Designed to meet IEEE802.3u Requirement.
- Low profile package 2.39mm for PC card.
- Operating temperature range: 0°C to +70°C.
- Storage temperature range: -25°C to +125°C.

**Electrical Specifications @ 25°C**

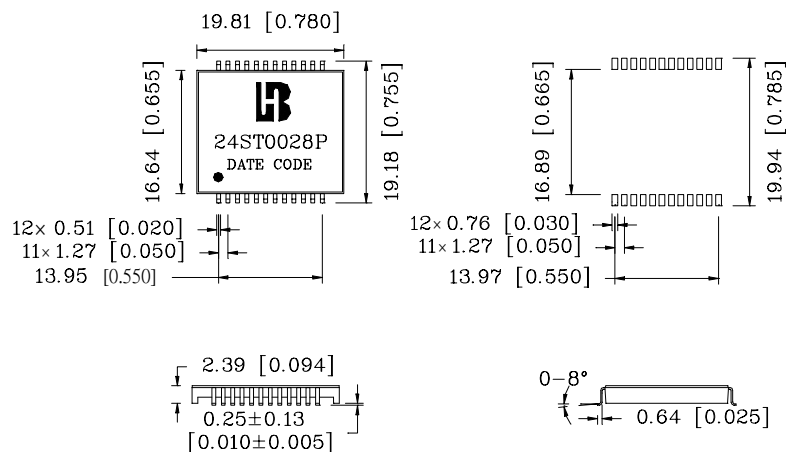
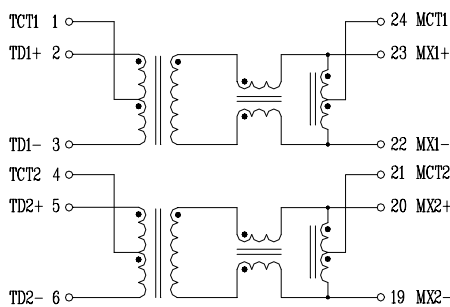
Part Number	Turn Ratio (±5%)		OCL (uH Min) @100KHz/0.1V with 8mA DC Bias 350	CMR (dB Min)		
	TX	RX		30MHz	50MHz	100MHz
24ST0028P	1CT: 1	1CT: 1		-42	-37	-33

**Continue**

Part Number	Insertion Loss (dB Max) 1-100MHz	Return Loss (dB Min)@ Load 100Ω			HI-POT (Vrms)
		30MHz	60MHz	80MHz	
24ST0028P	-1.1	-20	-14	-11.5	1500

**Schematic**

**Mechanical**



Units: mm[inches]olerance: xx.x0±0.25[0.010]  
0.xx±0.05[0.002]