

10/100BASE-TX VOICE OVER IP MAGNETICS MODULES

P/N: 24ST009 DATA SHEET

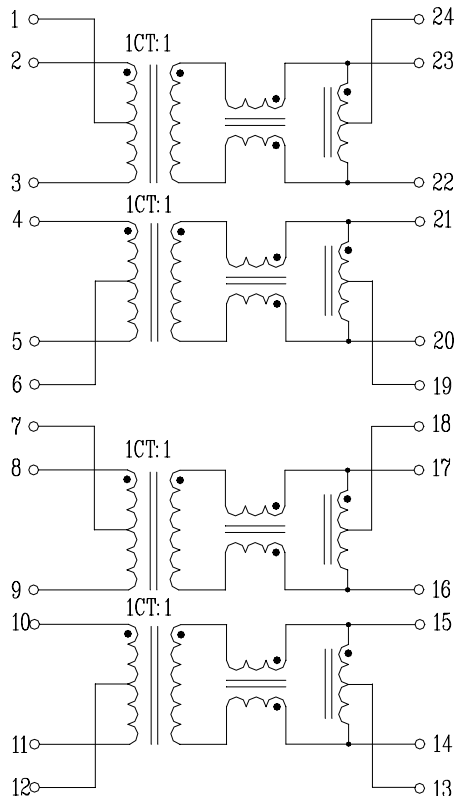
Feature



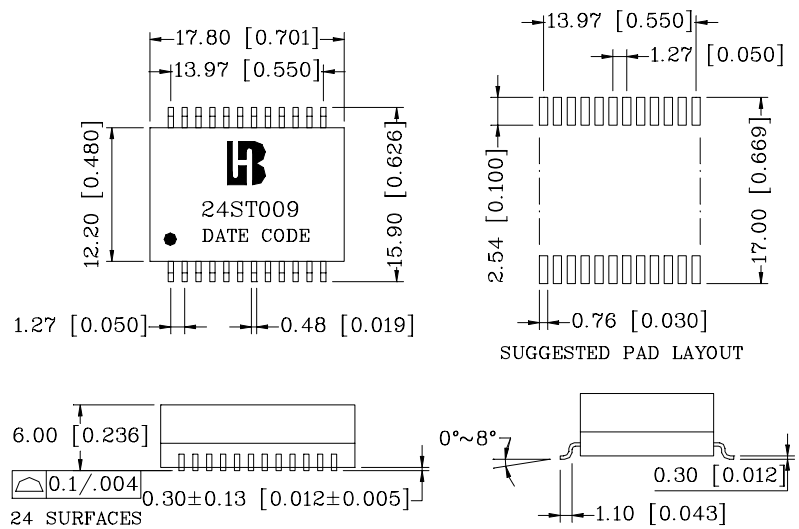
- Designed to meet the requirements of IEEE802.3af with 350mA current capability.
- Auto-MDIX compatible.
- Standard devices are available for most leading silicon vendors' Phy's.
- Operating temperature range: 0°C to +70°C.
- Storage temperature range: -25°C to +125°C.

Electrical Specifications @ 25°C									
Part Number	Turns Ratio (±5%)	OCL (uH Min) @ 100KHz/0.1Vrms with 8mA/DC Bias				C _{WV} (pF Max)	DCR(Ω Max)	HI-POT (Vrms)	
24ST009	1CT:1	350				28	0.9	1500	
Continue									
Part Number	Insertion Loss (dB Max)	Return Loss (dB Min)				Cross talk (dB Min)		CMR (dB Min)	
		0.3-100MHz	0.3-30MHz	40MHz	50MHz	60-80MHz	0.3-60MHz	60-80MHz	1-30MHz
24ST009	-1.1	-18	-15.5	-13.6	-12	-40	-30	-40	-30

Schematic



Mechanical



Units: mm[Inches] Tolerance: xx.x0±0.25[0.010]
0.xx±0.05[0.002]