



P/N: 24ST1285B-3B DATA SHEET

Feature



- For Fast Ethernet to Gigabit Ethernet Interchangeable Designs.
- Meets IEEE802.3 and ANSI X3.263 standards.
- Operating temperature range: 0°C to +70°C.
- Storage temperature range: -25°C to +125°C.

Electrical Specifications @ 25°C

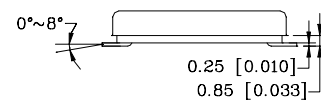
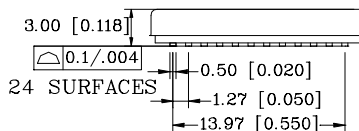
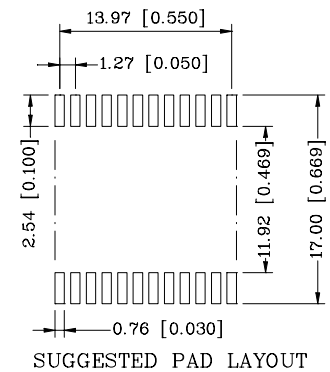
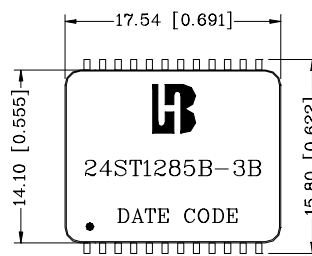
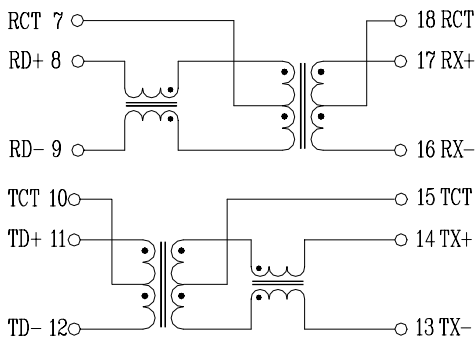
| Part Number | Turns Ratio (±5%) | | OCL(uH Min) @ 100KHz/0.1V with 8mA DC Bias | L.L (uH Max) | C _{ww} (pF Max) | Rise Time 10-90% (nS Typ) | HI-POT (Vrms) |
|--------------|-------------------|---------|--|-----------------|-----------------------------|---------------------------------|------------------|
| | TX | RX | | | | | |
| 24ST1285B-3B | 1CT:1CT | 1CT:1CT | 350 | 0.6 | 28 | 2.5 | 1500 |

Continue

| Part Number | Insertion Loss (dB Max) | Return Loss (dB Min) | | | Cross talk (dB Min) | | DCMR (dB Min) TX/RX | |
|--------------|----------------------------|-------------------------|-------|-------|------------------------|-----------|------------------------|-----------|
| | | 0.3-100MHz | 30MHz | 60MHz | 80MHz | 0.3-60MHz | 60-80MHz | 0.3-60MHz |
| 24ST1285B-3B | -1.0 | -16 | -12 | -12 | -40 | -30 | -30/-35 | -30/-35 |

Schematic

Mechanical



Units: mm[Inches] Tolerance: xx.x0±0.25[0.010]
0.xx±0.05[0.002]