

**P/N: 24STS05 DATA SHEET****Feature**

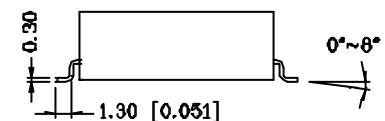
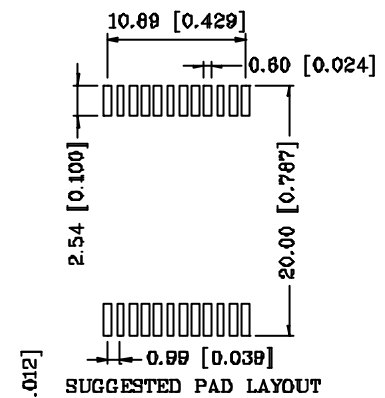
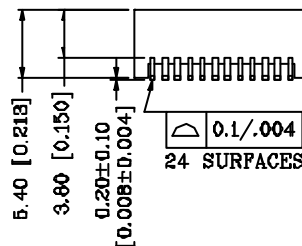
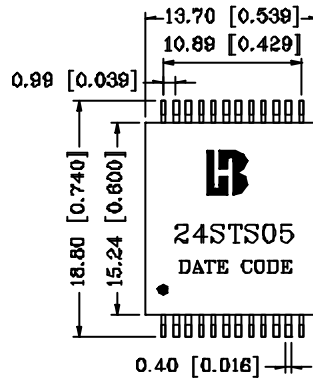
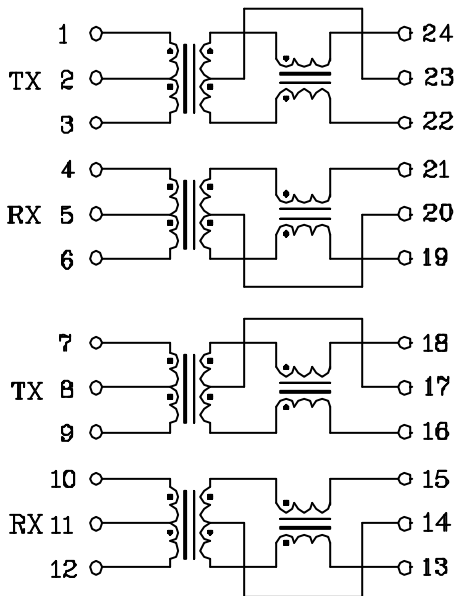
- Designed to meet IEEE802.3u requirement.
- Operating temperature range: 0 to +70 .
- Storage temperature range: -25 to +125 .

Electrical Specifications @ 25° C

Part Number	Turns Ratio (±5%)		OCL(μH Min) @100KHz/0.1V with 8mA DC Bias	HI-POT (Vrms)
	TX	RX		
24STS05	1CT:1CT	1CT:1CT	350	1500

Continue

Part Number	Insertion Loss (dB Max)		Return Loss (dB Min)			Cross talk (dB Min)		
	0.1MHz	100MHz	30MHz	60MHz	80MHz	30MHz	60MHz	80MHz
24STS05	-1.2	-1.4	-16	-10	-10	-45	-40	-33

Schematic**Mechanical**

Units: mm [Inches]
Tolerance: xx.x0±0.25 [0.010]
0.xx±0.05 [0.002]