



P/N: 40PT1140AX DATA SHEET

Feature



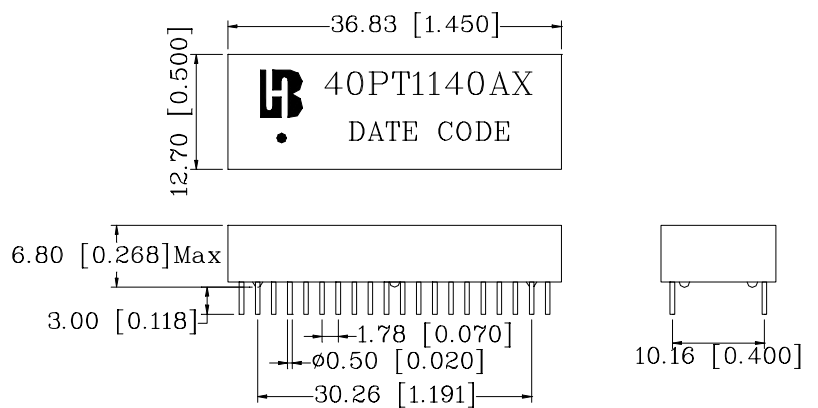
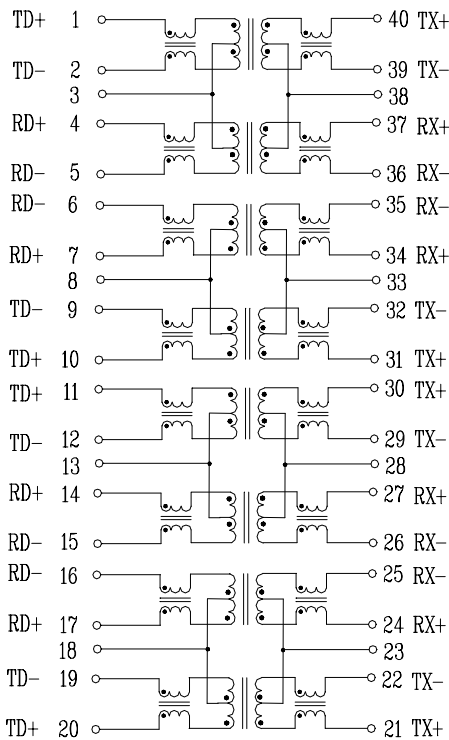
- Compliant with IEEE 802.3u and ANSI X 3.263 standards including 350 uH OCL with 8 mA bias.
- Symmetrical TX and RX channels for auto MDI/MDIX capability.
- Operating temperature range: 0°C to +70°C.
- Storage temperature range: -25°C to +105°C.

| Electrical Specifications @ 25°C | | | | | |
|----------------------------------|-------------------|---------|---|-------------------------|---------------|
| Part Number | Turns Ratio (±5%) | | OCL(uH Min) @100KHz/0.1V with 8mA DC Bias | Insertion Loss (dB Max) | HI-POT (Vrms) |
| | TX | RX | | 0.1-100MHz | |
| 40PT1140AX | 1CT:1CT | 1CT:1CT | 350 | -1.0 | 1500 |

| Continue | | | | | | |
|-------------|---------------------|---------------|----------------------|--------|-------|-------|
| Part Number | Cross talk (dB Min) | DCMR (dB Min) | Return Loss (dB Min) | | | |
| | 0.3-100MHz | | 0.3-100MHz | 2-3MHz | 40MHz | 50MHz |
| 40PT1140AX | -35 | -30 | -18 | -14.4 | -13.1 | -12 |

Schematic

Mechanical



Units: mm [Inches] Tolerance: xx.x0±0.25 [0.010]
0.xx±0.05 [0.002]