

40 PIN SMD ETHERNET 10/100 BASE QUAD PORT TRANSFORMER

PN/: 40ST1025 DATA SHEET

A. GENERAL SPECIFICATIONS

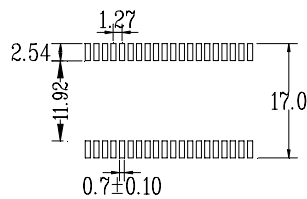
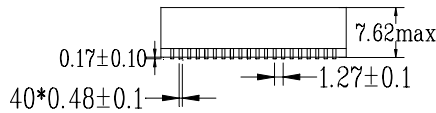
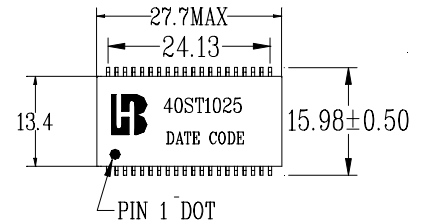
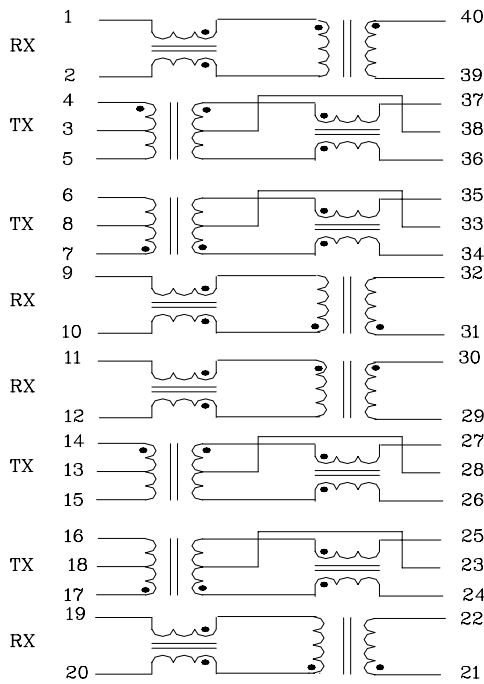
1. IEEE 802.3 ETHERNET COMPATIBLE, 100 BASE-TX
2. SURFACE MOUNTABLE
3. DESIGN FOR MULTI-PORT REPEATER AND ETHERNET SWITCHING HUB APPLICATION
4. CUSTOMER DESIGNS AVAILABLE FOR SPECIFIC APPLICATION
5. OPERATING TEMP RANGE: 0°C TO 100°C.

B. ELECTRICAL SPECIFICATIONS@25°C

1. ISOLATION HI-POT: 1500 VRMS (PRI. /SEC.)
2. TURN RATIO ($\pm 5\%$): TX=1.25CT: 1CT, RX=1:1
3. RISE TIME: 2.5 ns TYP
4. CW/W: 25 pF Max
5. LEAKAGE INDUCTANCE (1MHz): 0.4uH Max
6. CMRR (0.1-100 MHz): -37dB MIN
7. RETURN LOSS (MIN):

5-30 MHz	30-60 MHz	60-80 MHz
-16dB	-12dB	-10 dB
8. CROSSTALKS (0.1 TO 100MHz): -38dB Min
9. OCL (uH,Min): 350 uH, at 8mA DC FORM 0-70°C
10. DCR: 0.9 Ω Max
11. INSERTION LOSS (1MHz-100MHz): -1.15dB Max

C. SCHEMATIC & DIMENSIONS & MARKING (UNIT: mm):



PCB Suggest pad layout

Tolerance : ± 0.25