



P/N: 40ST1041AX-E DATA SHEET

Feature



- IEEE 802.3 Ethernet compatible .
- 100 Base-TX Surface mountable .
- Design for multi-port repeater and Ethernet switching HUB application .
- Customer designs available for specific application.
- Reduces radiated EMI emissions.
- Operating temperature range : 0°C to +70°C .
- Storage temperature range: -25°C to +125°C .

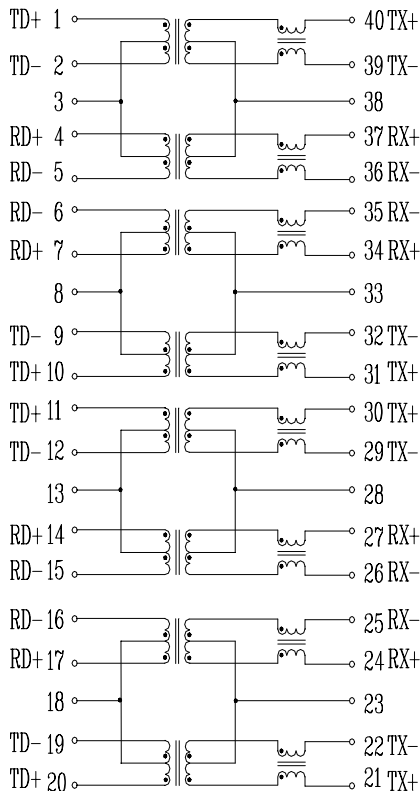
Electrical Specifications @ 25°C

Part Number	Turns Ratio (±5%)		OCL(uH Min) @100KHz/0.1V 8mA DC Bias	L.L (uH Max)	C _{w/w} (pF Max)	HI-POT (Vrms)	Rise Time (nS Typ)
	TX	RX					
40ST1041AX-E	1CT:1CT	1CT:1CT	350	0.4	56	1500	3.0

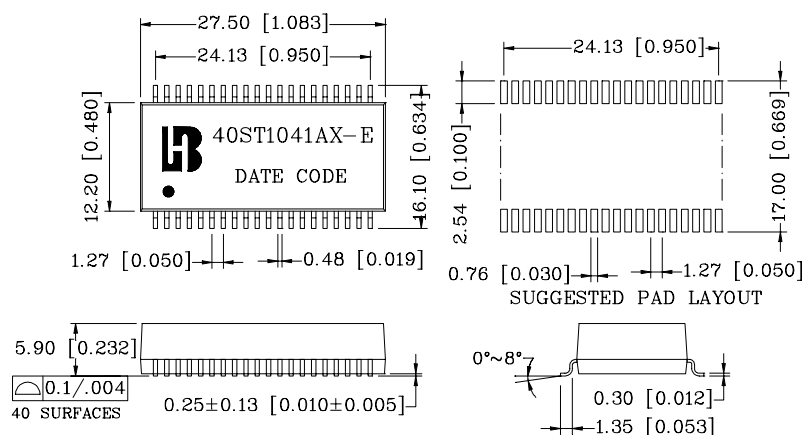
Continue

Part Number	Insertion Loss (dB Max)	Return Loss (dB Min)			Cross talk (dB Min)		DCMR (dB Min)		
		0.3-100MHz	0.3-30MHz	30-60MHz	60-80MHz	0.3-60MHz	60-100MHz	60MHz	100MHz
40ST1041AX-E	-1.15	-16	-12	-10	-40	-35	-37	-28	-25

Schematic



Mechanical



Units: mm[Inches] Tolerance: xx.x0±0.25[0.010]
0.xx±0.05[0.002]