

10/100 BASE QUAD PORT TRANSFORMER MODULES

P/N:40ST1041KM DATA SHEET

Feature



- Patented interlock base design.
- Compliant with IEEE 802.3u and ANSI X3.263 standards including 350 μ H OCL with 8mA Bias From -40°C to +85°C.
- Models designed to support four single or double stacked RJ-45 connectors.
- IC Grade transfer-molded package withstands 235°C peak temperature profile.
- Operating temperature range : -40°C to +85°C.
- Storage temperature range: -25°C to +125°C.

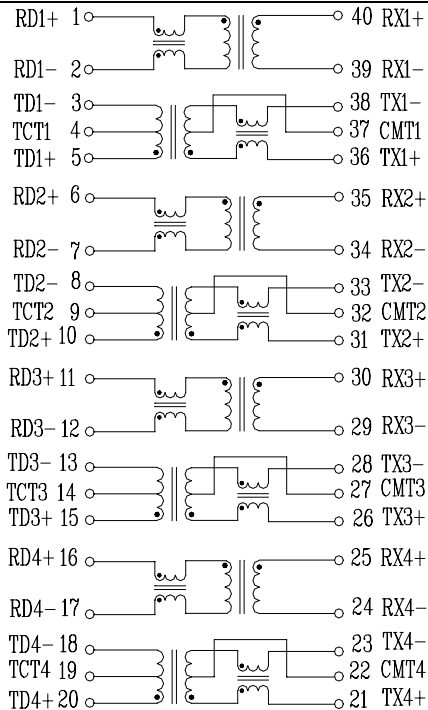
Electrical Specifications @ 25°C

Part Number	Turns Ratio ($\pm 5\%$)		OCL (μ H Min) @ 100KHz/0.1Vrms with 8mA/DC Bias	CW/W (pF Max)	L.L (μ H Max)	Isolation Voltage (Vrms)
	TX	RX				
40ST1041KM	1CT:1CT	1:1	350	28	0.5	1500

Continue

Part Number	Insertion Loss (dB Max)	Return Loss (dB Min)				Cross talk (dB Min)				DCMR (dB Min)	
		0.3-100 MHz	2-30MHz	40MHz	50MHz	60-80MHz	1MHz	30MHz	60MHz	100MHz	1-60MHz
40ST1041KM	-1.0	-21	-17	-14.5	-12	-65	-55	-38	-35	-37	-25

Schematic



Mechanical

