

40 PIN SMD ETHERNET 10/100 BASE-TX QUAD PORT TRANSFORMERS

P/N: 40ST1041KR DATA SHEET

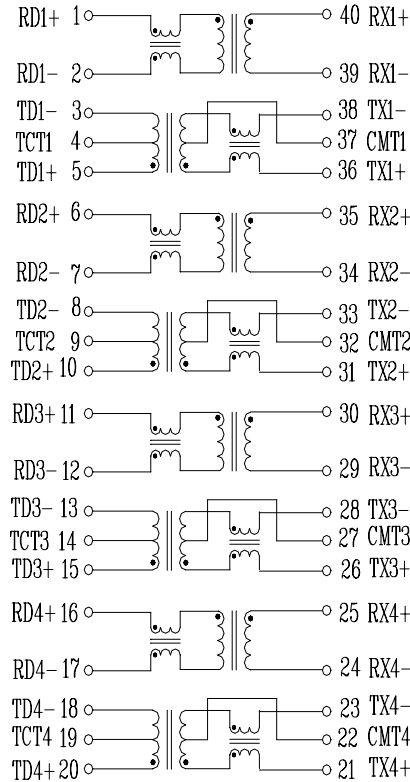
Feature



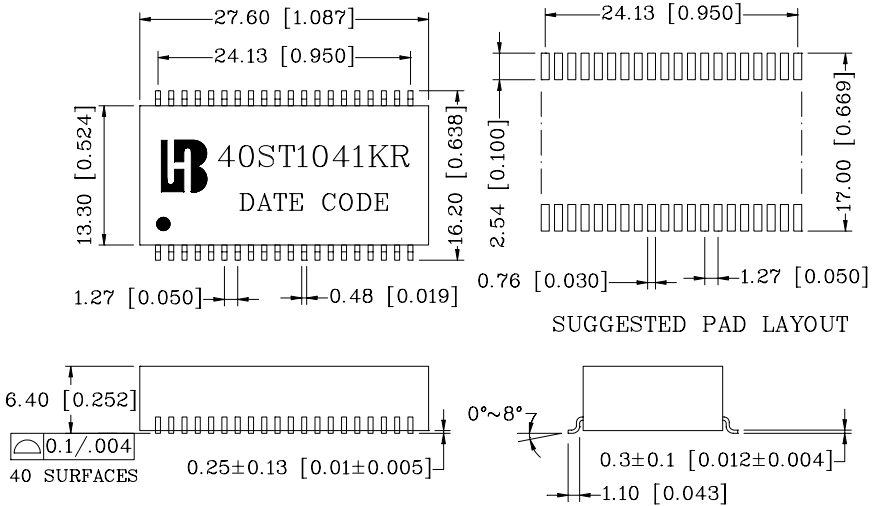
- Patented interlock base design.
- Compliant with IEEE 802.3u and ANSI X3.263 standards including.
- Models designed to support four single or double stacked RJ-45 connectors.
- IC grade transfer-molded package withstands 235°C peak temperature profile.
- Operating temperature range : 0°C to +70°C.

Electrical Specifications @ 25°C							
Part Number	Turns Ratio (±5%)		OCL(μH Min.) @100KHz/0.1Vrms	Leakage Inductance (μH Max.) @ 100KHz/0.1Vrms	Cw/w (pF Typ.) @ 100KHz/0.1Vrms	Isolation HI-POT (Vrms)	Rise Time (nS Typ)
	TX	RX	8mA DC/Bias				
40ST1041KR	1CT:1CT	1:1	350	0.4	20	1500	2.5
Continue							
Part Number	Insertion Loss (dB Max.)	Return Loss (dB Min)				Cross talk (dB Min.)	DCMR (dB Min.)
	0.1-100MHz	2-30MHz	40MHz	50MHz	60-80MHz	0.1-100MHz	0.1-100MHz
40ST1041KR	-1.1	-21	-17	-14.5	-12	-38	-37

Schematic



Mechanical



Units: mm[Inches] Tolerance: 0.x0 ±0.25[0.010]  
0.xx ±0.05[0.002]