

40 PIN SMD ETHERNET 10/100 BASE QUAD PORT TRANSFORMER

PN:40ST1053B DATA SHEET

APPLY TO ADHOC AH108RU, 8 PORT REPEATER SINGLE CHIP

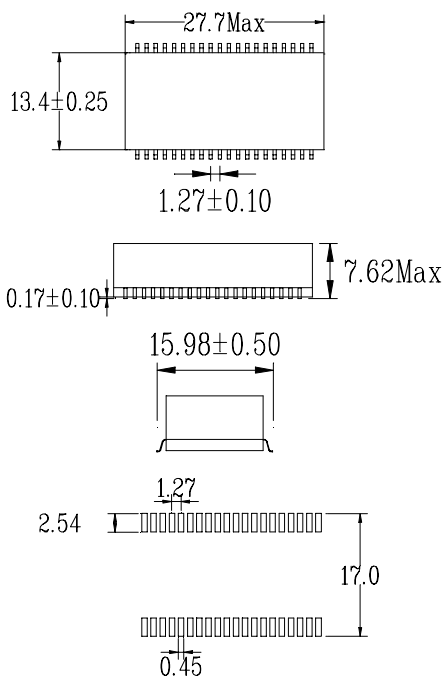
A.GENERAL SPECIFICATIONS

- 1.IEEE 802.3 ETHERNET COMPATIBLE, 100 BASE-TX
- 2.SURFACE MOUNTABLE
- 3.DESIGN FOR MULTIPORT REPEATER AND ETHERNET SWITCHING HUB APPLICATION
- 4.CUSTOMER DESIGNS AVAILABLE FOR SPECIFIC APPLICATION

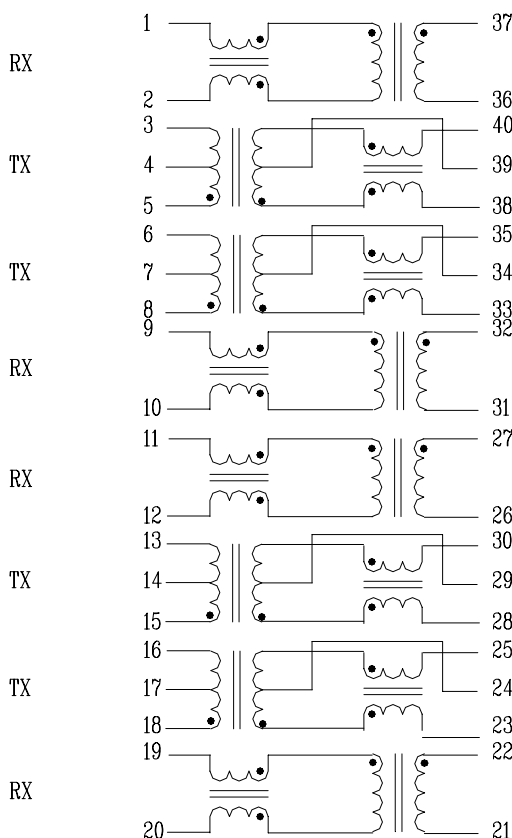
B.ELECTRICAL SPECIFICATIONS@25°C

- 1.ISOLATION HI-POT: 1500 VRMS (PRI. /SEC.)
- 2.TURN RATIO ($\pm 5\%$): TX=1.25CT: 1CT, RX=1:1
- 3.RISE TIME: 2.5 ns TYP
- 4.CMRR TX & RX (0.1-60 MHz): -30dB(Min)
- 5.RETURN LOSS: 5-30 MHz 30-60 MHz 60- 80 MHz
 -16dB -12dB -10 dB (Min)
- 6.CROSSTALKS (0.1 TO 100MHz): 1MHz 30 MHz 60MHz 100MHz
 -65dB -50dB -40dB -30dB (Min)
7. OCL (uH,Min):350 uH, at 100 KHz,0.1V 8mA DC FORM 0-70°C
- 8..DIFFERENTIAL TO COMMON MODE REJECTION(dB Min):1-60 MHz= -40 ; 60-200MHz= -30
- 9..INSERTION LOSS0.1-100 MHz: -1.15(dB Max)

C.SCHEMATIC & DIMENSIONS & MARKING (UNIT mm):



Suggest pad layout
Tolerance : ± 0.25



PIN 1 DOT