



40 PIN SMD ETHERNET 10/100 BASE QUAD PORT TRANSFORMER

### P/N: 40ST1141EX DATA SHEET

#### Feature



- IEEE 802.3 Ethernet compatible, 100 Base-TX
- Surface mountable.
- Design for multi-port repeater and Ethernet switching Hub application.
- Customer designs available for specific application.
- Operating temperature range : 0°C to +70°C .
- Storage temperature range: -25°C to +125°C .

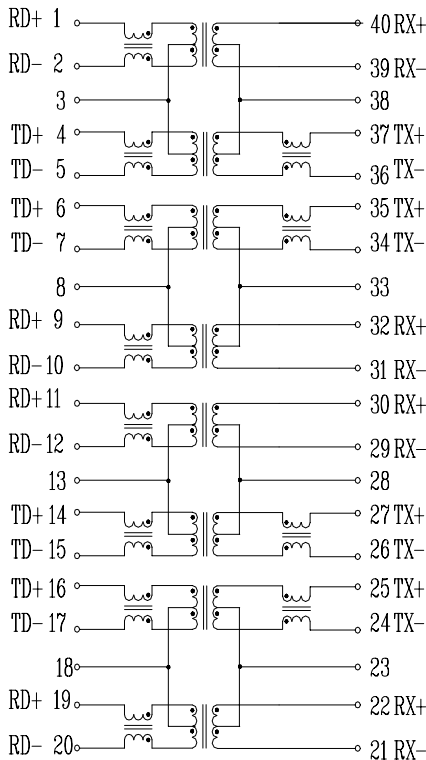
#### Electrical Specifications @ 25°C

Part Number	Turns Ratio (±5%)		OCL(uH Min) @ 100KHz/0.1V with 8mA DC Bias	L.L (uH Max)	C <sub>ww</sub> (pF Max)	Rise Time (nS Typ)	HI-POT (Vrms)
	TX	RX					
40ST1141EX	1CT:1CT	1CT:1CT	350	0.5	56	2.50	1500

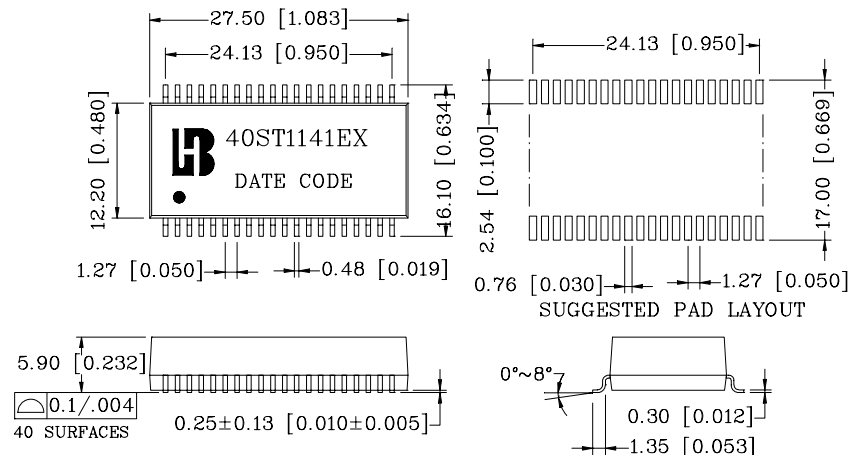
#### Continue

Part Number	Insertion Loss (dB Max)	Return Loss (dB Min)				Cross talk (dB Min)		DCMR (dB Min)		
		0.3-100MHz	0.3-30MHz	30-60MHz	60-80MHz	0.3-60MHz	60-100MHz	60MHz	100MHz	200MHz
40ST1141EX	-1.15	-16	-12	-10	-40	-35	-37	-28	-25	

#### Schematic



#### Mechanical



Units: mm[Inches] Tolerance: xx.x0±0.25[0.010] 0.xx±0.05[0.002]