

10 BASE-T QUAD SMT TRANSFORMER MODULES

P/N: 40ST8062A DATA SHEET

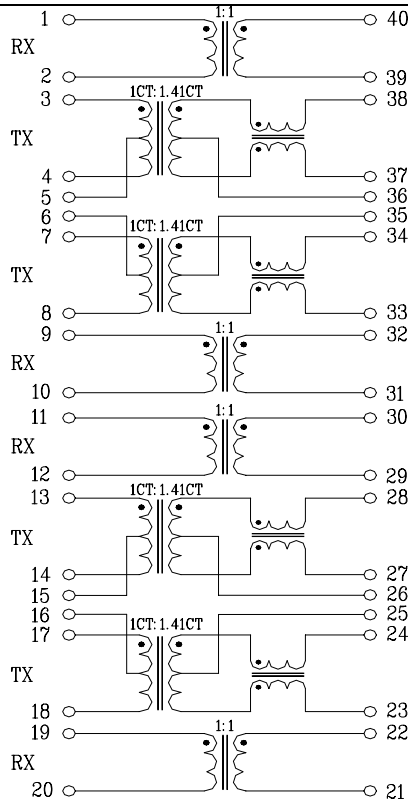
Feature



- Family of parts-common footprint and pinout with a choice of filtering for customized EMI performance.
- IC grade transfer-molded package withstands 235°C peak temperature performance.
- Space-efficient- 12 ports across 3.6 inches for optimal PCB layout.
- Operating temperature range : 0°C to +70°C.
- Storage temperature range: -25°C to +125°C.

Electrical Specifications @ 25°C								
Part Number	Turns Ratio (±5%)		Sine wave OCL (+H Min) @ 100KHz/20mV	L.L (+H Max) @ 100KHz/20mV	Cw/w (pF Max)	HI-POT (Vrms)		
	TX	RX						
40ST8062A	1CT:1.41CT	1:1	150	0.4	18	1500		
Continue								
Part Number	Insertion Loss (dB Max)	Return Loss (dB Min) @ (5 - 10MHz)		CMR (dB Min) TX				
		0.3-10MHz	100 •	98 ±13•	5MHz	10MHz	50MHz	100MHz
40ST8062A	-1.0	-20	-15	-60	-50	-35	-25	-20

Schematic



Mechanical

