



P/N: 50PT1050BX DATA SHEET

Feature



- Compliant with IEEE 802.3 E and ANSI X3.263 standards including 350uH OCL with 8mA Bias.
- Symmetrical TX and RX channels for Auto MDI/MDIX capability.
- Operating temperature range : 0 to +70 .
- Storage temperature range: -25 to +105 .

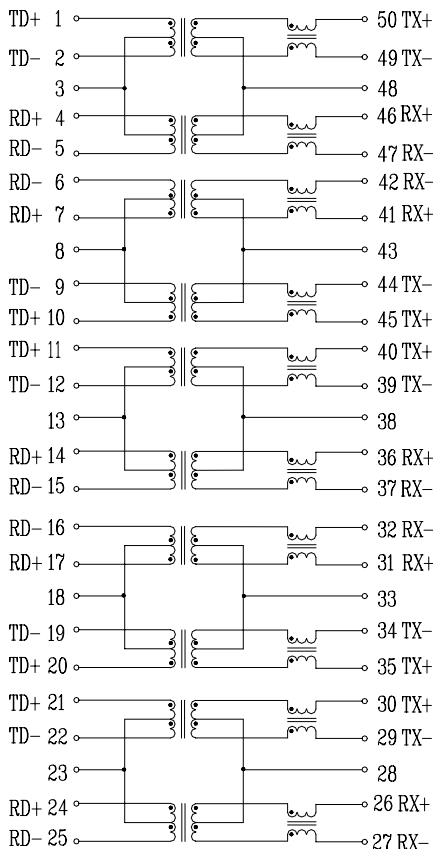
Electrical Specifications @ 25°C

Part Number	Turns Ratio (±5%)		OCL(uH Min) @100KHz/0.1V 8mA DC Bias	L.L (uH Max)	C _{ww} (pF Max)	DCT (Ω Max)	HI-POT (Vrms)
	TX	RX					
50PT1050BX	1CT:1CT	1CT:1CT	350	0.5	56	0.9	1500

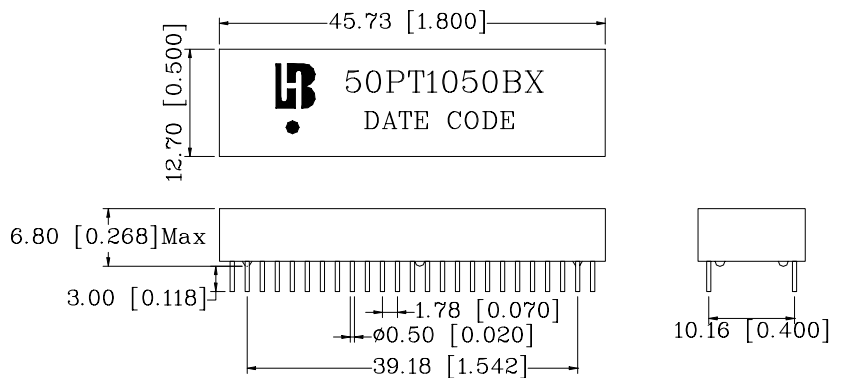
Continue

Part Number	Insertion Loss (dB Max)	Return Loss (dB Min)				Cross talk (dB Min)		CMRR (dB Min)	
		1-100MHz	1-30MHz	30-60MHz	60-80MHz	1-60MHz	60-100MHz	1-60MHz	60-100MHz
50PT1050BX	-1.0	-16	-12	-10	-40	-38	-45/-40	-40/-35	

Schematic



Mechanical



Units: mm[Inches] Tolerance: xx.x0±0.25[0.010]
0.xx±0.05[0.002]