



P/N: H4P141X DATA SHEET

Feature



- Magnetic designs to support every PHY.
- Complies with IEEE 802.3 standards including 350 uH min OCL with 8mA bias.
- Operating temperature range: 0°C to +70°C.
- Storage temperature range: -25°C to +125°C.

Electrical Specifications @ 25°C

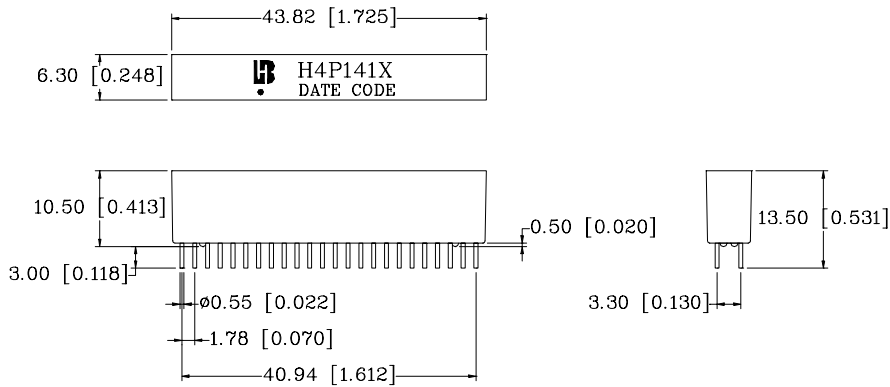
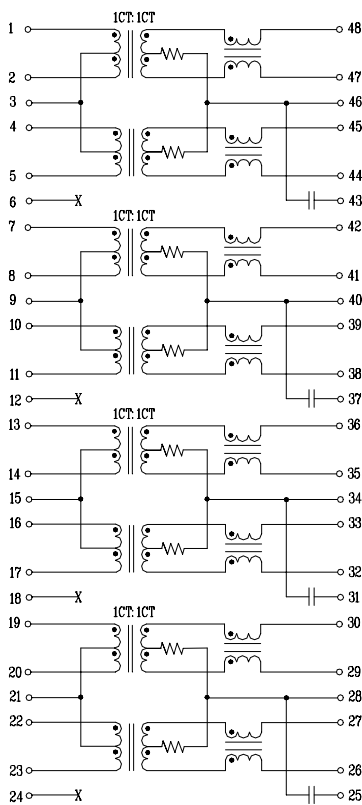
Part Number	Turns Ratio (±3%)		OCL (uH Min) @ 100KHz/0.1V with 8mA DC Bias	Insertion Loss (dB Max) 1-100 MHz	HI-POT (Vrms)
	RX	TX			
H4P141X	1CT:1CT	1CT:1CT	350	-1.2	1500

Continue

Part Number	Return Loss (dB Min)TX/RX			Cross talk (dB Min)TX/RX			CMR (dB Min) TX/RX		
	30MHz	50MHz	80MHz	0.3-30MHz	30-60MHz	60-100MHz	1-30MHz	30-60MHz	60-125MHz
H4P141X	-15	-13	-11	-40	-35	-30	-30	-25	-20

Schematic

Mechanical



Units: mm[Inches] Tolerance: xx.x0±0.25[0.010]
0.xx±0.05[0.002]