

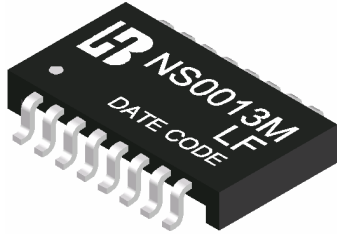


NS0013M LF

10/100 PC CARD LAN MAGNETICS SOLUTIONS

P/N: NS0013M LF DATA SHEET

Feature



- Half port and single port designs for maximum layout flexibility.
- Low profile packages from 0.094 Inch(2.39mm) to 0.078 Inch(1.98mm) for PC card and card bus applications .
- Comply with RoHS requirements-whole part No Cd, No Hg, No Cr6+, No PBB and PBDE and No Pb on external pins.
- Operating temperature range: -40 to +85 .
- Storage temperature range: -40 to +125 .

Electrical Specifications @ 25°C

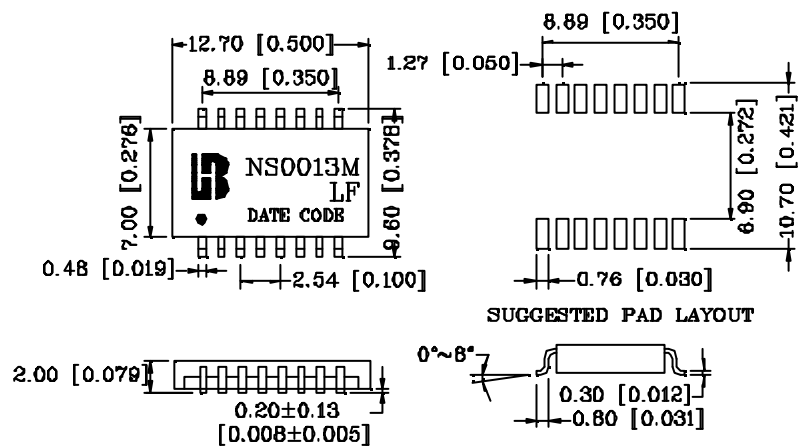
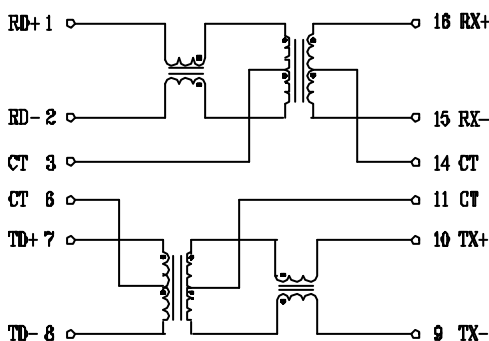
Part Number	Turns Ratio (±3%)		OCL (uH Min) @100KHz/0.1V Pin(16-15/7-8)	Cw/w (pF Max)	L.L (uH Max)	DCR ( Max)	HI-POT (Vrms)
	TX	RX				Pin(16-15/7-8)	
NS0013MLF	1CT:1CT	1CT:1CT	350	15	0.4	0.9	1500

Continue

Part Number	Insertion Loss (dB Max)	Return Loss (dB Min)				Cross talk (dB Min)	DCMR (dB Min)	
		0.3-30MHz	40MHz	50MHz	60-80MHz		0.3-60MHz	60-100MHz
NS0013MLF	-1.1	-18	-15.5	-13.5	-10	-38	-33	-26

Schematic

Mechanical



Units: mm[inches] Tolerances: xx.x0±0.25[0.010] 0.xx±0.05[0.002]