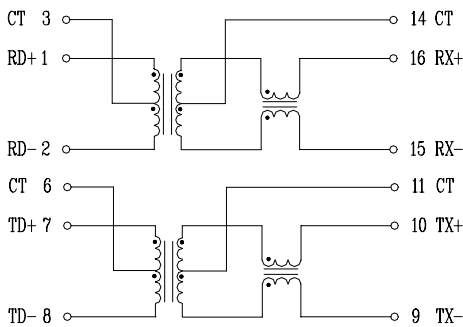


**P/N: NS0068 LF DATA SHEET****Feature**

- Half port and single port designs for maximum layout flexibility.
- Greater than 350 uH(100KHz) at DC current Bias 8mA.
- Lead free for external pins.
- Operating temperature range: 0 to +70 .
- Storage temperature range: -25 to +125 .

Electrical Specifications @ 25°C

Part Number	Turns Ratio (±3%)		OCL (uH Min) @ 100KHz/0.1V with 8mA DC Bias	C _{WW} (pF Max)	Insertion Loss (dB Max) 0.3-100MHz	HI-POT (Vrms)
	RX	TX				
NS0068 LF	1CT:1CT	1CT:1CT	16-15 / 10-9	25	-1.0	1500

Schematic**Mechanical**