

**P/N: TS1142 DATE SHEET****Feature**

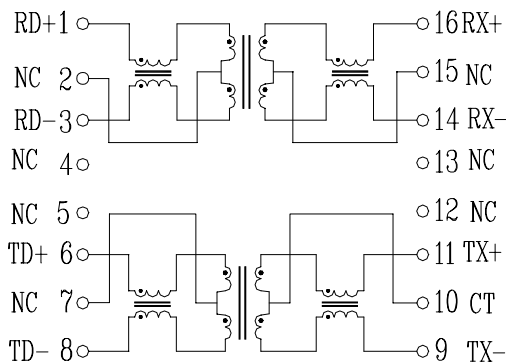
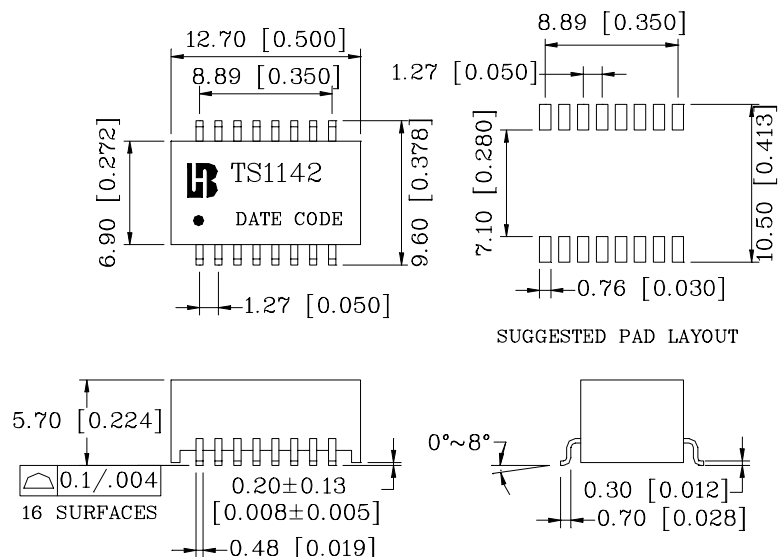
- Designed to meet IEEE 802.3u requirement including 350uH OCL with 8mA bias.
- Operating temperature range: 0°C to +70°C.
- Storage temperature range: -25°C to +125°C.

**Electrical Specifications @ 25°C**

Part Number	Turns Ratio		OCL(uH Min) @ 100KHz/0.1V with 8mA DC Bias	C <sub>w/w</sub> (pF Max)	L.L (uH Max)	DCR (Ω Max) 1-3/6-8/16-14/11-9	HI-POT (Vrms) 1500
	1-3:16-14	6-8:11-9					
TS1142	1CT:1CT	1CT:1CT	350	28	0.5	1.1	1500

**Continue**

Part Number	Insertion Loss (dB Max) 0.3-100 MHz	Return Loss (dB Min)				Cross talk (dB Min)		DCMR (dB Min)		
		0.3-30MHz	40MHz	50MHz	60-80MHz	0.3-60MHz	60-100MHz	30MHz	60MHz	100MHz
TS1142	-1.1	-18	-15.5	-13	-12	-45	-35	-40	-35	-30

**Schematic****Mechanical**

Units: mm [Inches] Tolerances: xx.x0±0.25 [0.010]

0.xx±0.05 [0.002]