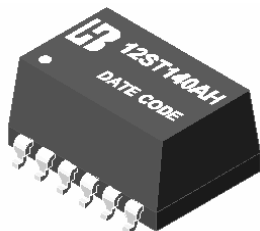


Feature

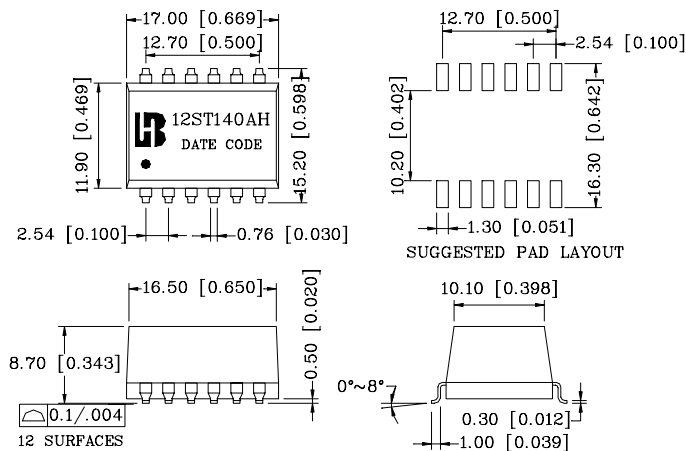
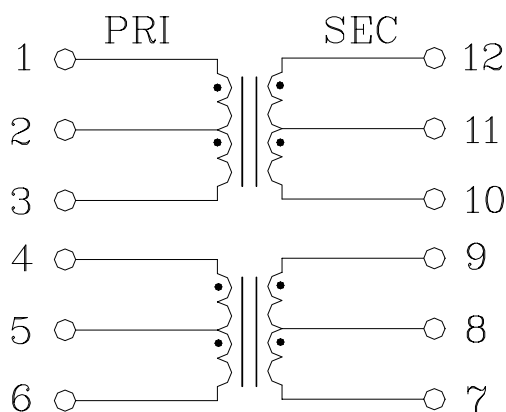


- Operating temperature range: 0°C to +70°C.
- Storage temperature range: -25°C to +125°C.

Electrical Specifications @ 25°C							
Part Number	Turns Ratio (±3%)		OCL (uH Typ)	C _{ww} (pF Max)	L.L (uH Max)	PRI DCR (Ω Max)	HI-POT (Vrms)
	1-3:12-10	4-6:9-7					
12ST140AH	1CT:1CT	1CT:1.414CT	140	12	0.4	0.4	3000

Schematic

Mechanical



Units: mm[Inches] Tolerances: xx.x0±0.25[0.010]
 0.xx±0.05[0.002]

Bothhand USA email:sales@bothhandusa.com http://www.bothhandusa.com
10 BASE-T SMD ETHERNET TRANSFORMER

P/N:12ST140AH DATA SHEET

Page : 2/2
