

## **10 BASE-T LAN MAGNETICS**

### **P/N: 40ST6489B-1 DATA SHEET**

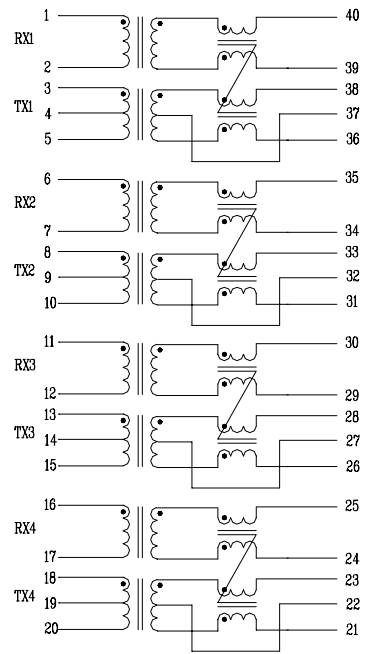
#### **A.GENERAL SPECIFICATIONS**

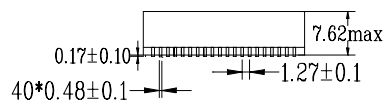
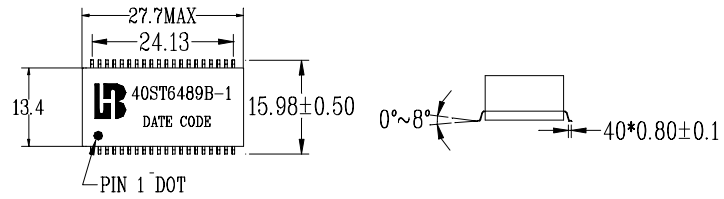
1. FILTERLESS QUAD, FOUR-PORT.DESIGNS WITH COMMON FOOTPRINT AND PAINOUTS.
2. OPTIMIZED FOR USE WITH STACKABLE RJ-45 CONNECTORS
3. DESIGNS UTILIZE STANDARD 40 PIN SMD PACKAGING.
4. LOW PROFILE, SURFACE MOUNT PACKAGING RATED TO 225°C PEAK IR REFLOW TEMPERATURE
5. QUAD DESIGN OFFERS BEST SPACE, PERFORMANCE AND COST EFFICIENCY.
6. MINIMUM INTERWINDING BREAKDOWN VOLTAGE OF 1500Vrms
7. OPERATING TEMP RANGE: 0°C TO +70°C.
8. STORAGE TEMP RANGE: -25°C TO +125°C.

#### **B. ELECTRICAL SPECIFICATIONS @ 25°C**

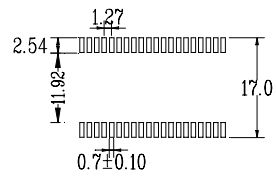
1. OCL INDUCTANCE(TX & RX) : 100 $\mu$  H MIN
2. TURN RATIO ( $\pm 5\%$ ): TX=1CT: 1.41CT; RX=1:1
- 3.. TX/RX L.L( $\mu$ H MAX.): 0.4/0.4
4. PRI. /SEC.Cw/w: 15pF MAX
5. PRI.DCR (TX&RX): 0.8 $\Omega$  MAX
6. INSERTION LOSS (1MHz~10MHz): -1.0dB Max
7. RETURN LOSS (10MHz~20MHz): -18 dB Min
8. COMMON COMMON MODE REJECTION (dB Min): -40 at10MHz~ 20MHz , -30 at 100MHz
9. CROSS TALK (1MHz~10MHz): -40dB Min

#### **C.SCHEMATIC & DIMENSIONS & MARKING: (UNTI mm)**





Tolerance : ±0.25



PCB Suggest pad layout