



P/N: 40ST8054M DATA SHEET

Feature



- Filterless quad,4-port designs with common footprints and pinouts offering choice of configurations for customized EMI suppression.
- Best per port space and cost efficiency.
- Low profile,surface mount packaging.
- Operating temperature range : -40°C to +85°C .
- Storage temperature range: -40°C to +125°C .

Electrical Specifications @ 25°C

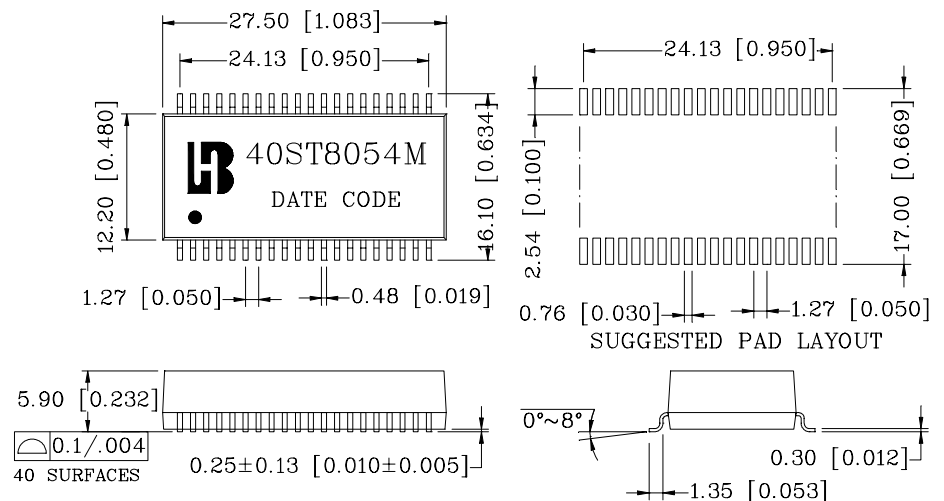
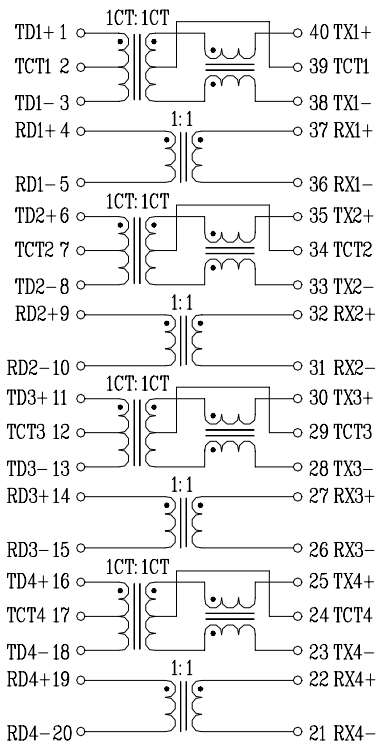
Part Number	Turns Ratio (±3%)		OCL (μH Min)	L.L (μH Max)	C _{WW} (pF Max)	DCR (Ω Max)	HI-POT (Vrms)
	TX	RX					
40ST8054M	1CT:1CT	1:1	140	0.3	12	0.3	2000

Continue

Part Number	Insertion Loss (dB Max)	Return Loss (dB Min)	Cross talk (dB Min)	CMR (dB Min)	
	1-10MHz	5-10 MHz	1-10 MHz	10-30 MHz	100 MHz
40ST8054M	-1.0	-18	-40	-40	-30

Schematic

Mechanical



Units: mm[Inches] Tolerance: xx.x0±0.25[0.010]
0.xx±0.05[0.002]