

**P/N:FB2009A APPLY TO GENERIC IC****Feature**

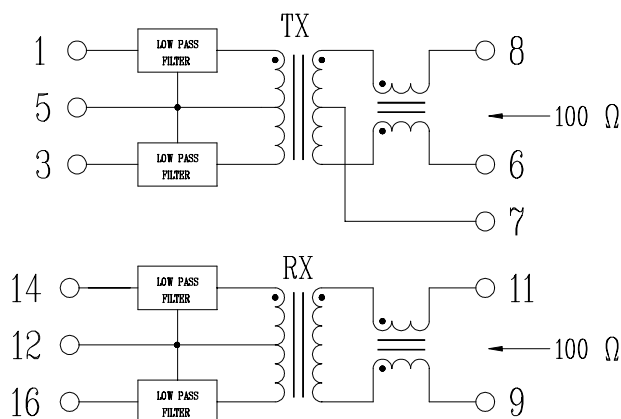
- Available in enhanced or standard design versions.
- Low cost DIP package
- Designed for AMD, DEC, LSI, Motorola, and National transceivers.
- Operating temperature range : 0°C to +70°C .
- Storage temperature range: -25°C to +125°C .

Electrical Specifications @ 25°C

Part Number	Turns Ratio		CUT-OFF Frequency	Cross talk Attenuation (dB Min)	HI-POT (Vrms)
	TX	RX		1-10 MHz	
FB2009A	1CT:1.41CT	1CT:1	17 MHz ± 1.5MHz	-30	1500

Continue

Part Number	Insertion Loss TX/RX(dB Max)	Return Loss TX/RX(dB Min)	Attenuation TX/RX(dB Min)				CMRR TX/RX (dB Min)
	1-10MHz	1-10MHz	20MHz	25 MHz	30MHz	40MHz	30-100MHz
FB2009A	-1.0	-14/-14	-7/-5	-18/-11	-28/-16	-33/-26	-30

Schematic**Mechanical**