



P/N:FB2009E DATA SHEET

Feature



- Available in enhanced or standard design versions.
- Low profile surface mount package.
- Designed for AMD, DEC, LSI, Motorola, and National transceivers .
- Operating temperature range: 0°C to +70°C .
- Storage temperature range: -25°C to +125°C .

Electrical Specifications @ 25°C

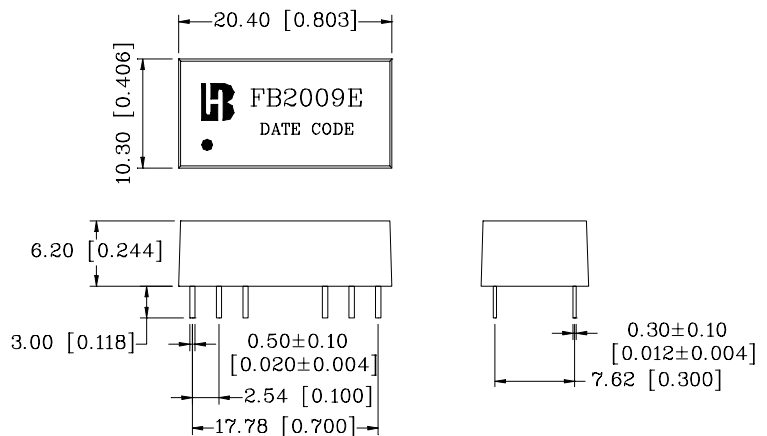
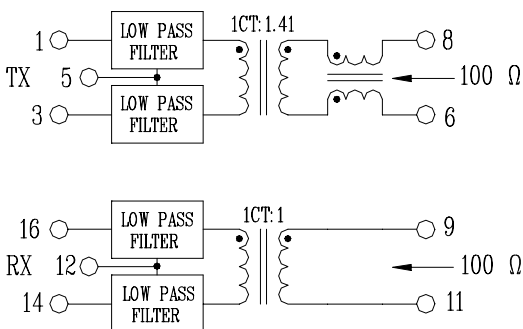
| Part Number | Turns Ratio (±5%) | | CUT-OFF Frequency TX/RX | Cross talk Attenuation (dB Min) | HI-POT (Vrms) |
|-------------|-------------------|-------|-------------------------|---------------------------------|---------------|
| | TX | RX | | 1-10MHz | |
| FB2009E | 1CT:1.41 | 1CT:1 | 17MHz±1.5MHz | -30 | 1500 |

Continue

| Part Number | Insertion Loss (dB Max) | Return Loss (dB Min) | Attenuation (dB Min) | | | | CMR (dB Min) |
|-------------|-------------------------|----------------------|----------------------|---------|---------|---------|--------------|
| | 1-10MHz | 1-10MHz | 20MHz | 25MHz | 30MHz | 40MHz | 30-100MHz |
| FB2009E | -1.0 | -14 | -7/-5 | -18/-11 | -28/-16 | -33/-26 | -30 |

Schematic

Mechanical



Units: mm[Inches] Tolerances: xx.x0±0.25[0.010]
0.xx±0.05[0.002]