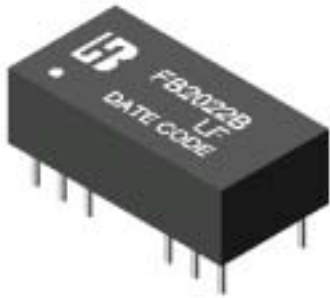




**P/N:FB2022B LF APPLY TO GENERIC IC**

**Feature**



- IEEE 802.3 and IEEE 802.5 compatible.
- Designed to meet AMD AM79C98, AT & T T7220 & NS DP83922 chip sets requirements.
- Integrated filter and isolation transformers in single 16 PIN DIP package .
- Low insertion loss characteristics.
- Cost effective designs.
- Lead free for external pins.
- Operating temperature range :0 to +70 .
- Storage temperature range: -25 to +125 .

**Electrical Specifications @ 25°C**

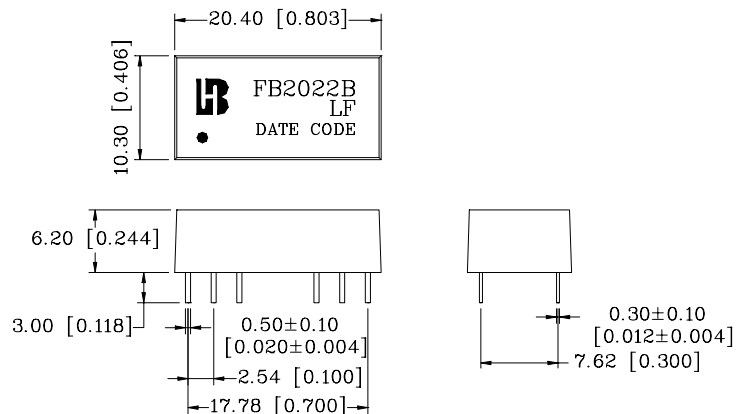
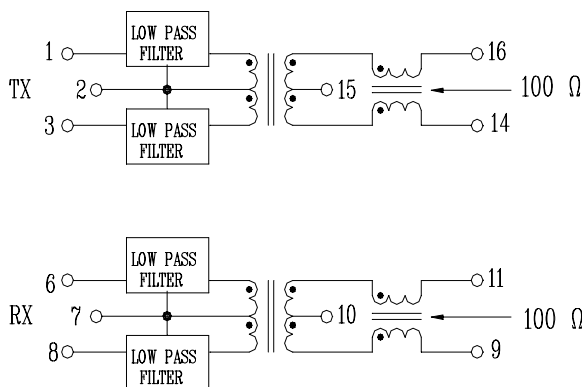
| Part Number | Turns Ratio |         | CUT-OFF Frequency | HI-POT (Vrms) |
|-------------|-------------|---------|-------------------|---------------|
|             | TX          | RX      |                   |               |
| FB2022B LF  | 1CT:1CT     | 1CT:1CT | 17MHz±1.5MHz      | 1500          |

**Continue**

| Part Number | Insertion Loss TX/RX(dB Max) | Return Loss TX/RX(dB Min) | Attenuation TX/RX(dB Min) |         |         |         | Cross talk Attenuation (dB Min) |
|-------------|------------------------------|---------------------------|---------------------------|---------|---------|---------|---------------------------------|
|             | 1-10MHz                      | 1-12MHz                   | 20MHz                     | 25MHz   | 30MHz   | 40MHz   | 1-10MHz                         |
| FB2022B LF  | -1.0                         | -14/-14                   | -7/-6                     | -19/-14 | -28/-20 | -32/-31 | -30                             |

**Schematic**

**Mechanical**



Units: mm [Inches] Tolerances: xx.x0±0.25 [0.010]  
0.xx±0.05 [0.002]