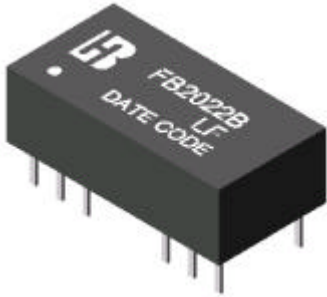




P/N:FB2022B LF APPLY TO GENERIC IC

Feature



- IEEE 802.3 and IEEE 802.5 compatible.
- Designed to meet AMD AM79C98, AT & T T7220 & NS DP83922 chip sets requirements.
- Integrated filter and isolation transformers in single 16 PIN DIP package .
- Low insertion loss characteristics.
- Cost effective designs.
- Comply with RoHS requirements-whole part No Cd, No Hg, No Cr6+, No PBB and PBDE and No Pb on external pins.
- Operating temperature range :0 to +70 .
- Storage temperature range: -25 to +125 .

Electrical Specifications @ 25° C

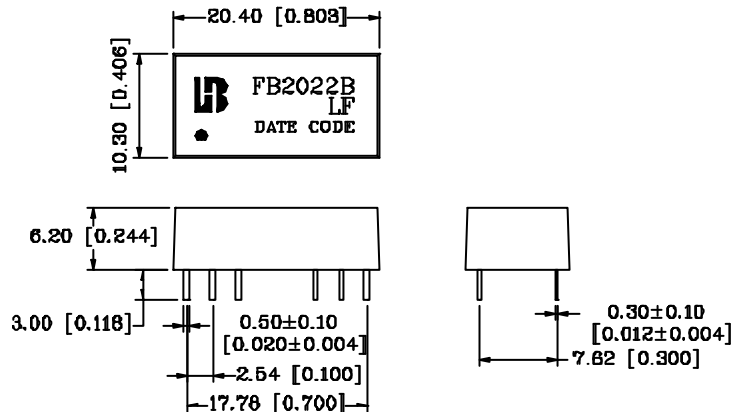
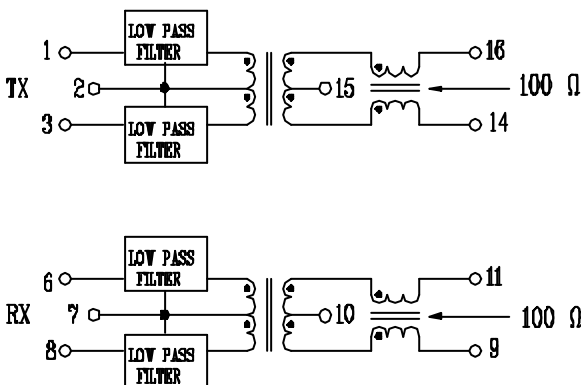
| Part Number | Turns Ratio | | CUT-OFF Frequency | HI-POT (Vrms) |
|-------------|-------------|---------|-------------------|---------------|
| | TX | RX | | |
| FB2022B LF | 1CT:1CT | 1CT:1CT | 17MHz±1.5MHz | 1500 |

Continue

| Part Number | Insertion Loss TX/RX(dB Max) | Return Loss TX/RX(dB Min) | Attenuation TX/RX(dB Min) | | | | Cross talk Attenuation (dB Min) |
|-------------|------------------------------|---------------------------|---------------------------|---------|---------|---------|---------------------------------|
| | 1-10MHz | 1-12MHz | 20MHz | 25MHz | 30MHz | 40MHz | 1-10MHz |
| FB2022B LF | -1.0 | -14/-14 | -7/-6 | -19/-14 | -28/-20 | -32/-31 | -30 |

Schematic

Mechanical



Units: mm [Inches] Tolerances: xx.x0±0.25 [0.010]
0.xx±0.05 [0.002]