



10 BASE-T INTERFACE MODULE

P/N:FS102S DATA SHEET

Feature



- Robust design allows for toughest soldering processes.
- Complies with or exceeds IEEE 802.3,10 Base-T Requirements.
- Operating temperature range: 0°C to +70°C.
- Storage temperature range: -25°C to +125°C.

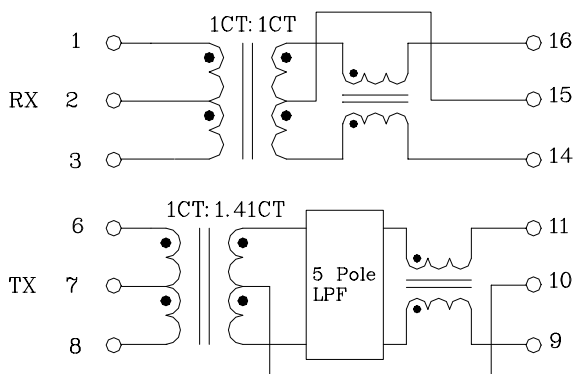
Electrical Specifications @ 25°C

Part Number	Turns Ratio (±5%)		OCL (uH) @100KHz, 0.1V RX	CUT-OFF Frequency @5MHz	Characteristic Filter Impedance (Ω)		Cross talk (dB Min) 1-10MHz
	TX	RX			TX	RX	
FS102S	1CT:1.41CT	1CT:1CT	160	17 MHz ± 1.5MHz	52	100	-30

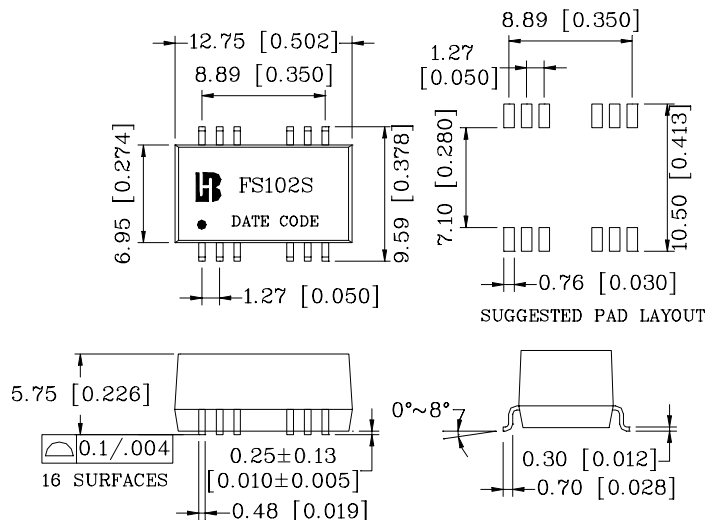
Continue

Part Number	Insertion Loss (dB Max) TX	Return Loss (dB Min) TX	Attenuation (dB Min) TX				CMR (dB Min) TX
	1-10MHz	5-10MHz	20MHz	25MHz	30MHz	40MHz	30-100MHz
FS102S	-1.0	-15	-5	-14	-24	-30	-30

Schematic



Mechanical



Units: mm[Inches] Tolerance: xx.x0±0.25[0.010] 0.xx±0.05[0.002]