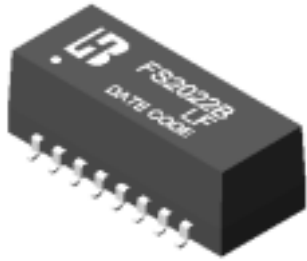




10 BASE-T ETHERNET SMD FILTER APPLY TO GENERIC IC

P/N: FS2022B LF DATA SHEET

Feature



- Designed for 10 BASE-T application.
- Fully compatible with IEEE 802.3 standard.
- 16-PIN SMD low profile package.
- Lead free for external pins.
- Operating temperature range: 0°C to +70°C.
- Storage temperature range: -25°C to +125°C.

Electrical Specifications @ 25°C

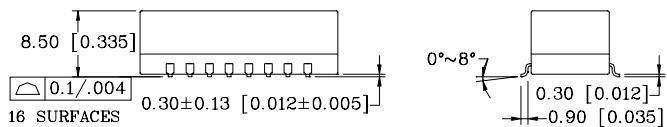
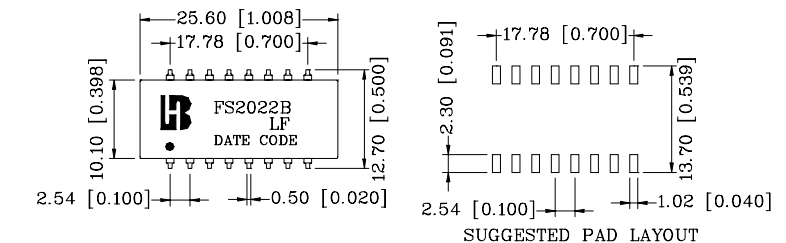
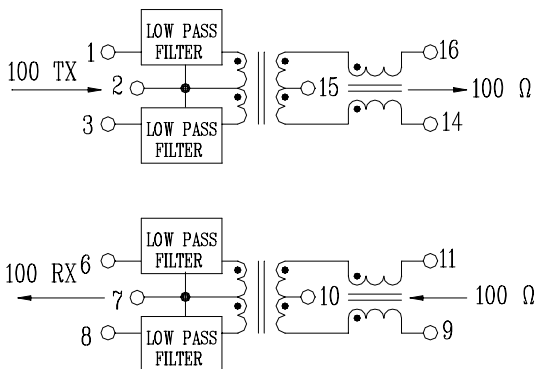
Part Number	Turns Ratio (±5%)		CUT-OFF Frequency TX/RX	Voltage Isolation (Vrms)	Insertion Loss TX/RX(dB Max)	Return Loss TX/RX(dB Min)
	TX	RX			1-10MHz	1-10MHz
FS2022B LF	1CT:1CT	1CT:1CT	17 MHz±1.5MHz	1500	-1.0	-14

Continue

Part Number	Cross talk Attenuation (dB Min)	Attenuation TX/RX(dB Min)				CMR TX/RX(dB Min)
	1-10 MHz	20MHz	25MHz	30MHz	40MHz	30-100MHz
FS2022B LF	-30	-7/-6	-19/-14	-30/-20	-32/-31	-30

Schematic

Mechanical



Units: mm[Inches] Tolerances: xx.x0±0.25[0.010]
0.xx±0.05[0.002]