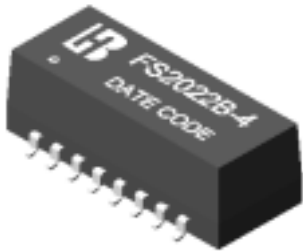




P/N:FS2022B-4 DATA SHEET

Feature



- Available in enhanced or standard design versions.
- Low profile surface mount package.
- The receive and transmit side meet IEEE 802.3i 1993 specifications.
- The transmit side is enhanced for FCC/VDE Class B system emissions requirement.
- Operating temperature range: 0°C to +70°C.
- Storage temperature range: -25°C to +125°C.

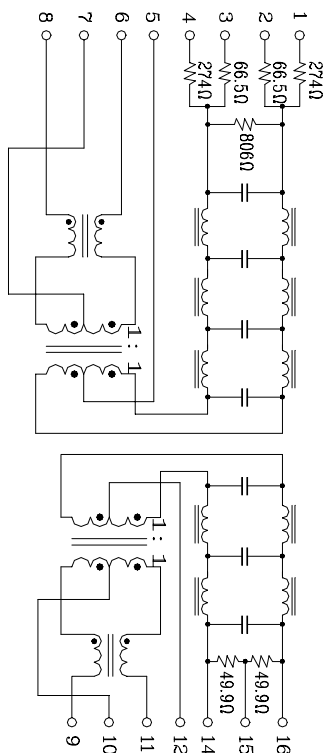
Electrical Specifications @ 25°C

Part Number	Return Loss(dB Min)		Cross talk (dB Min)	Insertion Loss (dB Max)	HI-POT (Vrms)
	@100Ω	@98±13Ω			
	5-10 MHz	5-10 MHz			
FS2022B-4	-18	-15	-35	-6.5	1500

Continue

Part Number	Attenuation (dB Min)	CMR (dB Min)				
		5 MHz	10 MHz	50 MHz	100 MHz	200 MHz
FS2022B-4	-20	-60	-60	-55	-50	-45

Schematic



Mechanical

