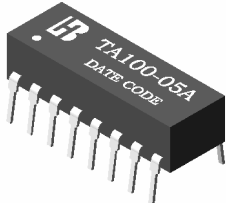


ISOLATION TRANSFORMER FOR ETHERNET

P/N:TA100-05A DATA SHEET

Feature

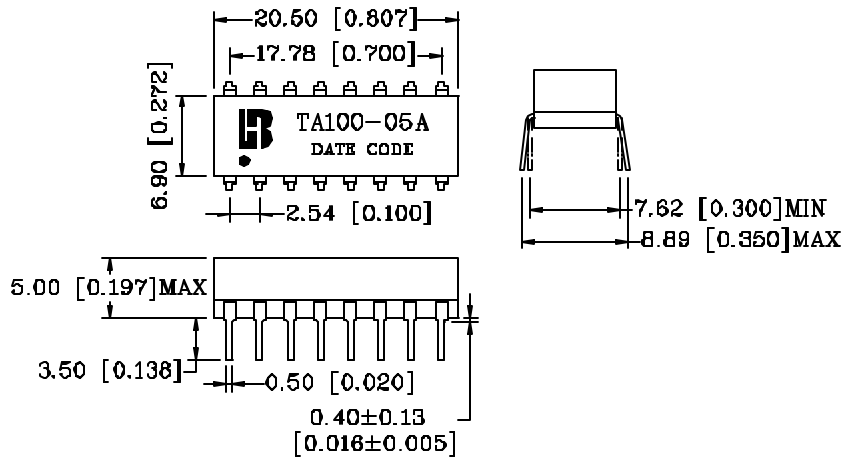
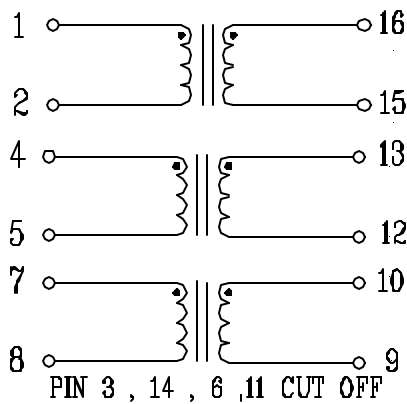


- Low leakage inductance and coupling capacitance for faster rise times.
- Small form factor, 50 mil lead spacing.
- Through hole, auto-insertable, 16-pin DIP package.
- Operating temperature range: 0°C to +70°C.
- Storage temperature range: -25°C to +125°C.

Electrical Specifications @ 25°C					
Part Number	Turns Ratio (±5%)	Sine wave inductance (i H±20%) 100KHz/20mVrms	Leakage Inductance (i H Max) 100KHz/20mVrms	Interwinding Capacitance (pF Max) 100KHz/20mVrms	
TA100-05A	1:1	100	0.20	10	
Continue					
Part Number	DCR (Ω Max)	Primary ET-constant (v-us Min)	Rise Time 75 Ω Systems (ns Max)	HI-POT (Vrms)	Primary Pins
TA100-05A	0.3	2.1	3.0	500	1-2/4-5/7-8

Schematic

Mechanical



Units: mm[Inches]
Tolerances: xx.x0±0.25[0.010]
0.xx±0.05[0.002]