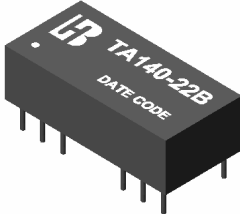


10 BASE-T ETHERNET COUPLING TRANSFORMER

P/N:TA140-22B DATA SHEET

Feature



- Low profile package 16 PIN DIP package to meet IEEE802.3 &10-BASE T specification
- Low leakage inductance and winding capacitances for fast rise time.
- High isolation voltages to comply with international safety requirements for LANS.
- Operating temperature range: 0°C to +70°C.
- Storage temperature range: -25°C to +125°C.

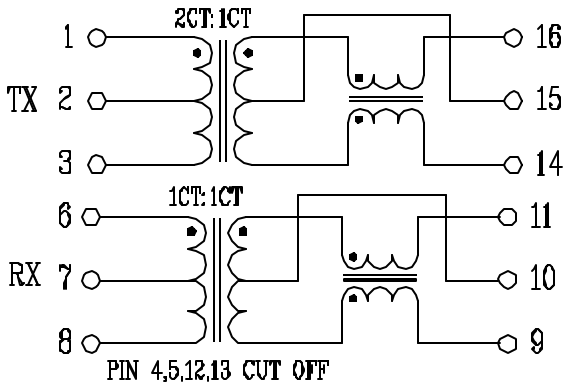
Electrical Specifications @ 25°C

Part Number	Turns Ratio(±3%)		Primary Inductance (i H Min)	Leakage Inductance (i H Max)	
	TX	RX		TX	RX
TA140-22B	2CT:1CT	1CT:1CT	140	1.1	0.4

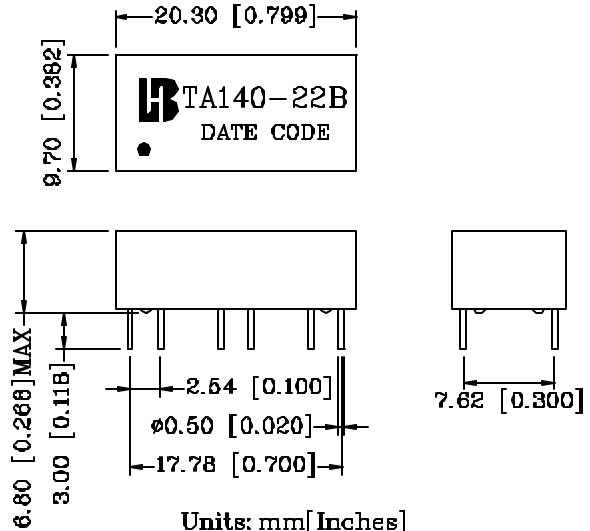
Continue

Part Number	PRI/SEC CWW (pF Max)	PRI/SEC DCR (ΩMax)	Rise time (ns Max)	HI-POT (Vrms)
TA140-22B	12	0.3	5.0	1500

Schematic



Mechanical



Units: mm [Inches]
Tolerances: xx x0±0.25 [0.010]
0.xx±0.05 [0.002]