

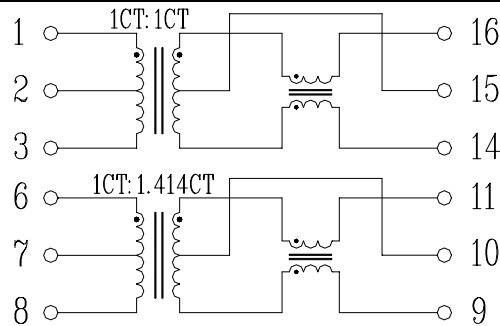
Feature

Networking Components



| Electrical Specifications @ 25°C | | | | | | | |
|----------------------------------|--------------------------|----------|----------------|---------------|--------------|---------------|--------------|
| Part Number | Turns Ratio (Pri:Sec±5%) | OCL (uH) | Cw/w (pF Max.) | L.L (uH Max.) | DCR (Ω Max.) | HI-POT (Vrms) | Primary Pins |
| TS7010C | 1CT:1CT/1CT:1.414CT | 200-450 | 20 | 0.3 | 0.6 | 1500 | 1-3, 6-8 |

Schematic



Mechanical

