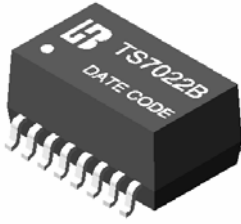


10 BASE-T SMD ETHERNET TRANSFORMER

P/N:TS7022B DATA SHEET

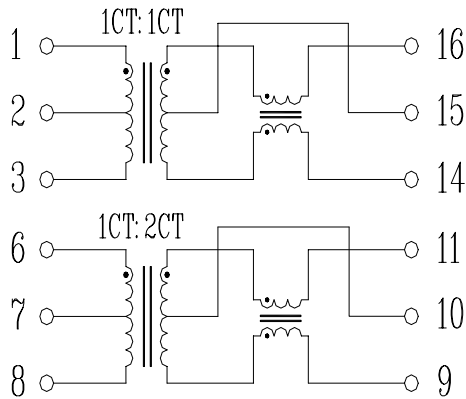
Feature



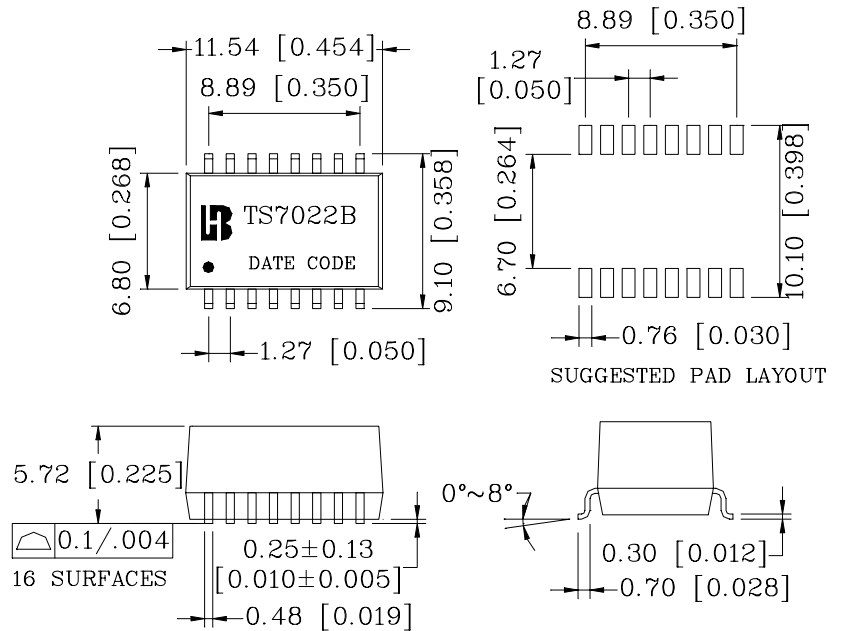
- 16 PINS, SMD package to compliant with IEEE802. 3 standard.
- Model is available to interface with 10 BASE-T transceivers.
- Compatible with IR oven processes.
- Operation temperature range: 0°C to +70°C.
- Storage temperature range: -25°C to +125°C.

Electrical Specifications @ 25°C					
Part Number	Turns Ratio(±5%)		OCL (uH Min) @100KHz/50mV PRI	C _{ww} (pF Max) @100KHz/50mV PRI/SEC	L.L(uH Max) @100KHz/50mV PRI
	(1-3):(16-14)	(6-8):(11-9)			
TS7022B	1CT:1CT	1CT:2CT	140	15	0.4
Continue					
Part Number	DCR(Ω Max) Each Winding	Common Choke Inductance (TYP) Each Winding	PRI Pins	HI-POT (Vrms) @1mA PRI/SEC	
TS7022B	0.3	30	(1-3)&(6-8)	2000	

Schematic



Mechanical



Units: mm[Inches] Tolerance: xx.x0±0.25[0.010]
0.xx±0.05[0.002]