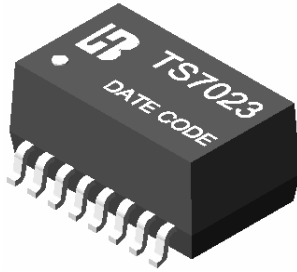


# 10 BASE-T SMD ETHERNET TRANSFORMER

## P/N:TS7023 DATA SHEET

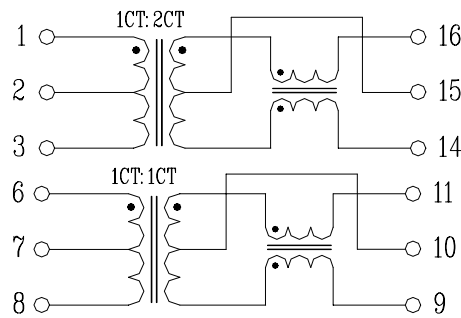
### Feature



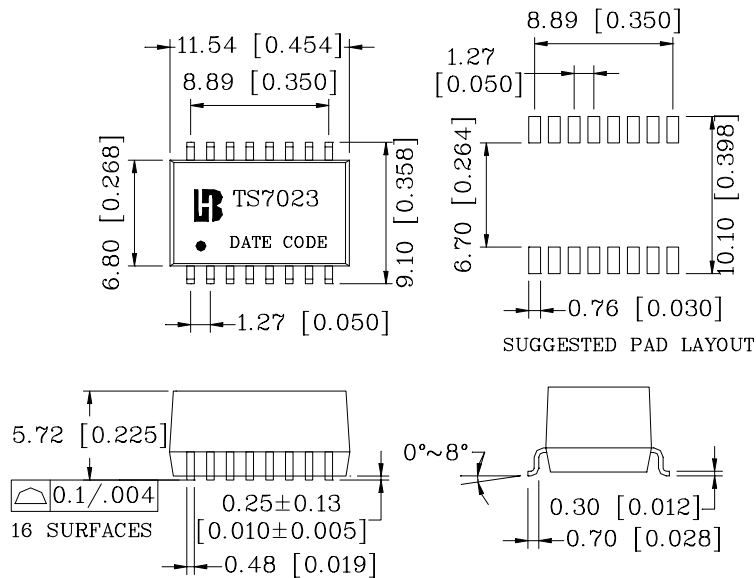
- Designed for use in (can) car area network.
- Dual channel low cost.
- Operation temperature range: 0°C to +70°C.
- Storage temperature range: -25°C to +125°C.

Electrical Specifications @ 25°C							
Part Number	Turns Ratio (±5%)		PRI OCL @100KHz/50mVrms (uH Min)	L.L (uH Max)	C <sub>www</sub> (pFMax)	DCR (Ω Max) (1-3)&(6-8)	HI-POT (Vrms)
	(1-2-3):(16-15-14)	(6-7-8):(11-10-9)					
TS7023	1CT:2CT	1CT:1CT	200	0.3	12	1.0	1500

### Schematic



### Mechanical



Units: mm[Inches] Tolerance: xx.x0±0.25[0.010]  
0.xx±0.05[0.002]