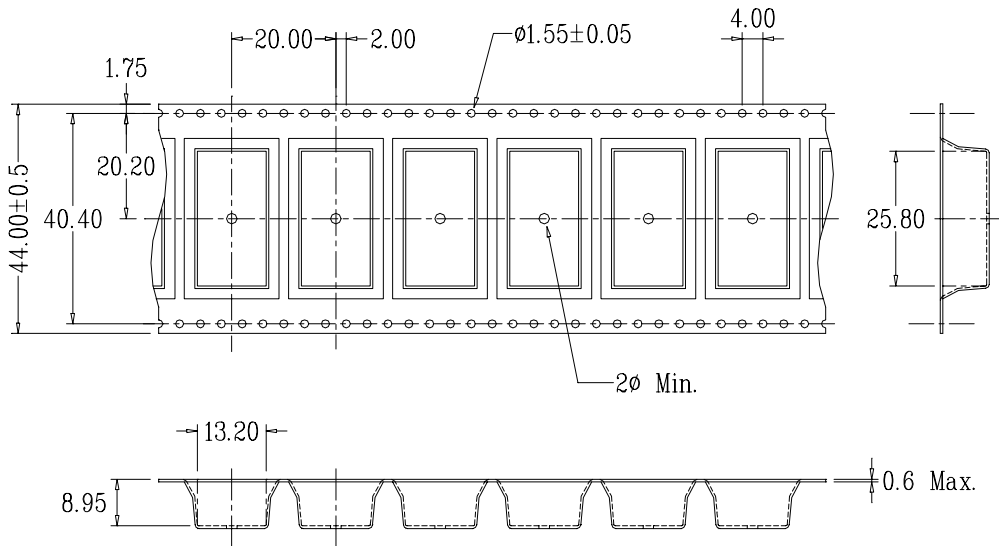


Packaging Reel Details

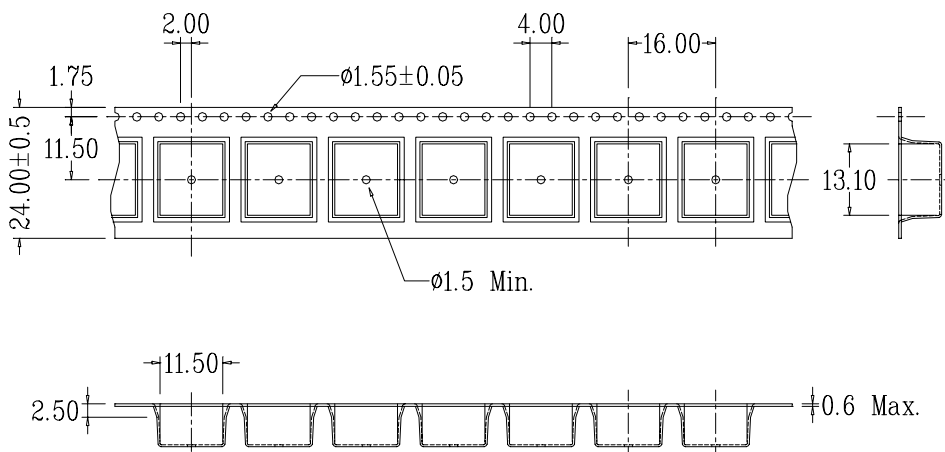
Outline Dimensions and Quantities

1. No. RL-1



- All dimensions meet EIA-481-3 requirements.
- Packing length per 22" reel : 20.5 Meters.

2. No. RL-2



- All dimensions meet EIA-481-2 requirements.
- Packing length per 22" reel : 28.0 Meters.

Notes :

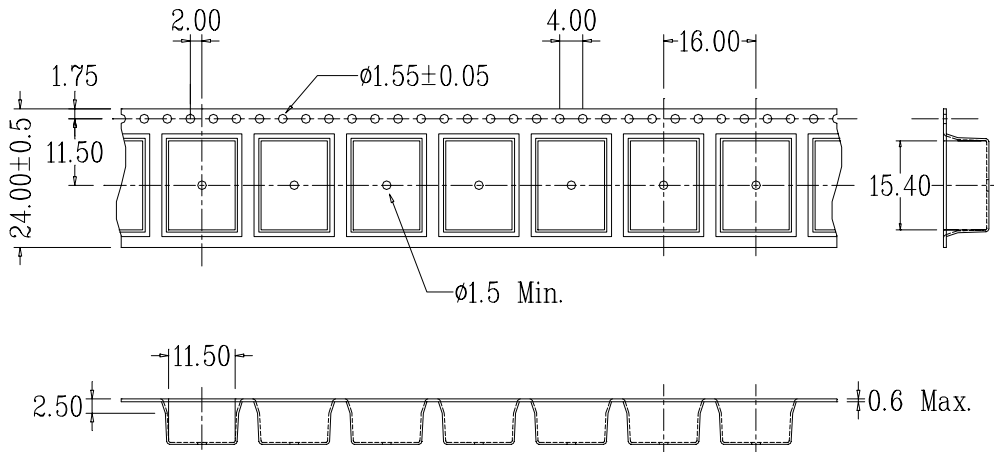
All dimensions are typical in millimeters (inches).

Tolerance xx.xx = ± 0.50 (± 0.02)

Packaging Reel Details

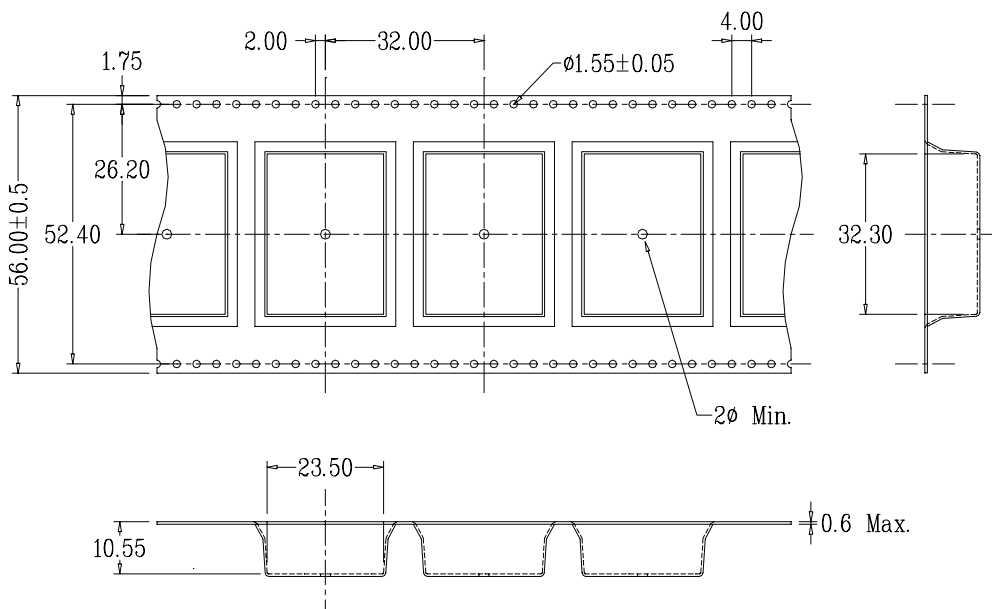
Outline Dimensions and Quantities

3. No. RL-3



- a. All dimensions meet EIA-481-2 requirements.
- b. Packing length per 22" reel : 26.5 Meters.

4. No. RL-4



- a. All dimensions meet EIA-481-3 requirements.
- b. Packing length per 22" reel : 28.0 Meters.

Notes :

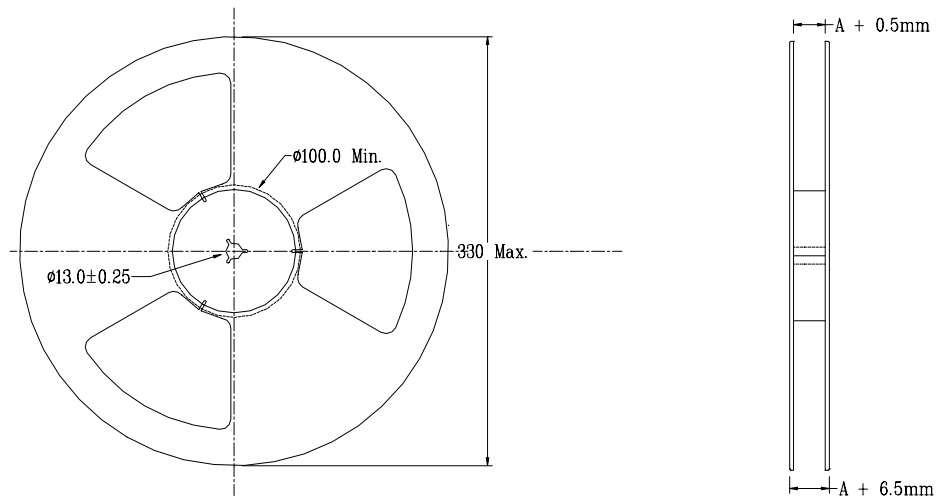
All dimensions are typical in millimeters (inches).

Tolerance xx.xx = ± 0.50 (± 0.02)

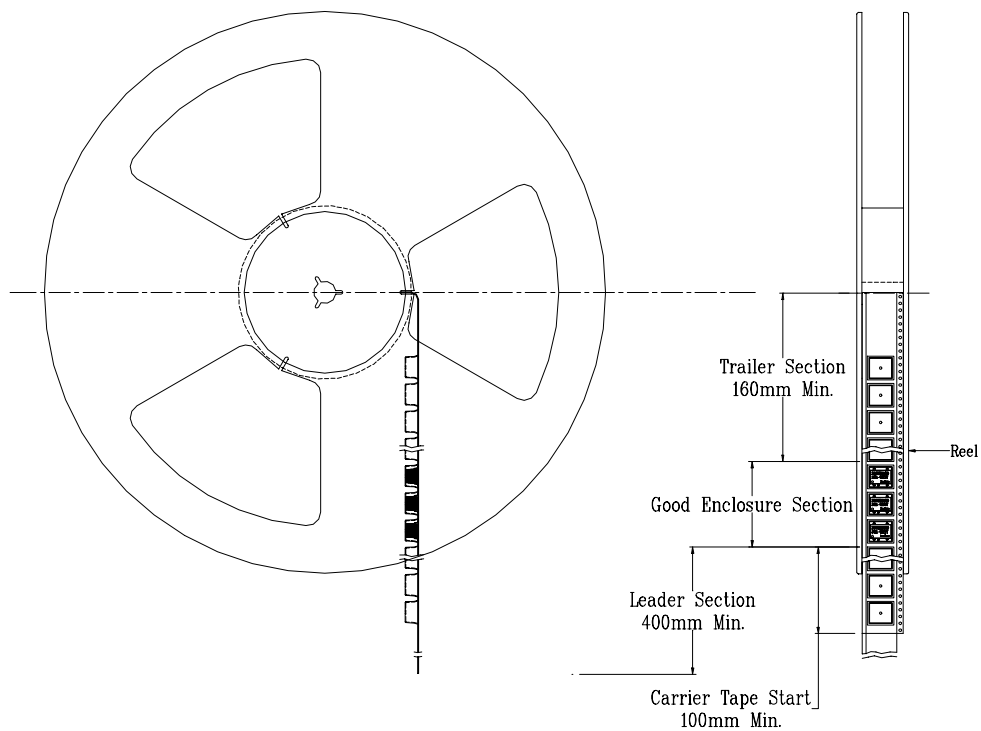
Packaging Reel Details

Outline Dimensions and Quantities

1. Reel Outline Dimensions



2. Reel Packing Details



Notes :

All dimensions are typical in millimeters (inches).

Tolerance $xx.xx = \pm 0.50$ (± 0.02)