



ADSL MICRO FILTER

P/N: AD-2066 DATA SHEET

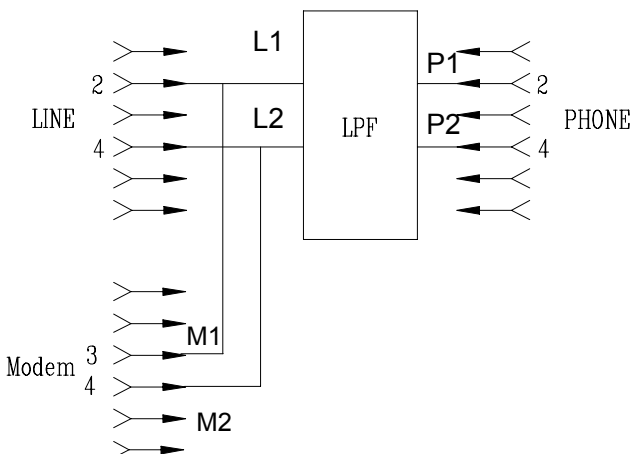
Feature



- Design for ADSL Specification
- 100mA DC Loop Current Capacity.
- Operating temperature range: 0°C to +60°C.
- Storage temperature range: -25°C to +75°C.

Specifications for Low pass POTS Filter for ADSL			
POTS Port Impedance	270Ω+150nF//750Ω	POTS Tip and Ring DC Voltage	0-105V
Insertion Loss @1KHz	-1dB Max	DC Resistance each line	25Ω Max
Insertion distortion @200~4KHz	± 1.1 dB	Return Loss 300-500Hz	-14 dB Min
Attenuation @32-60KHz	-15dB Min	500-2000Hz	-18 dB Min
@60K~600KHz	-25dB Min	2000-3400Hz	-14 dB Min
In Band Ripple	-1dB Max	Isolation resistance tip/ring	25M Ω Min
Longitudinal Balance 200Hz ~3KHz	-53 dB Min		

Schematic



Connector	Function	Style	Tip	Ring
J1	Line	France	Pin2(L1)	Pin4(L2)
J2	Phone	France	Pin2(P1)	Pin4(P2)
J3	Modem	RJ11	Pin3(M1)	Pin4(M2)