



BOTHHAND ENTERPRISE INC.

ADSL POTS LOW PASS FILTERS

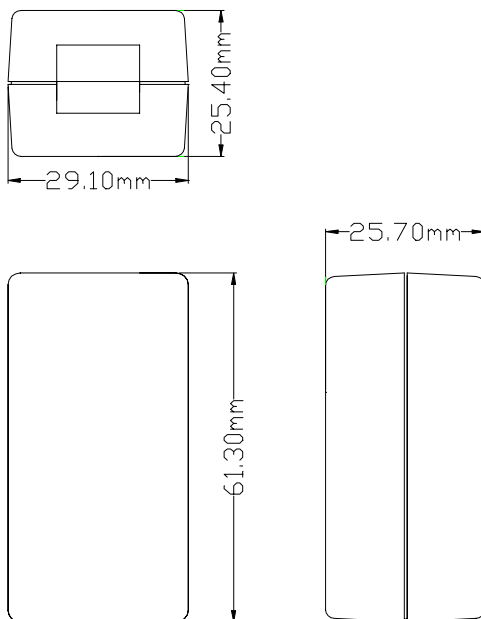
P/N: AD-3063

- For applications where both data and voice are transmitted over the same copper pair
- Compact package, includes RJ-11 connectors for ease of installation
- Will pass only voice band signals while attenuating the higher ADSL data frequency

Electrical Specifications @ 25°C

PARAMETER	FREQUENCY	MIN.	NOM.	MAX.	UNITS
POT Insertion Loss 900Ωline Side 600ΩPhone Side	200 Hz			± 1.0	dB
	1000 Hz			± 1.0	
	3400 Hz			± 1.0	
	4000 Hz			± 1.0	
ADSL Insertion Loss 100Ωline Side 600ΩPhone Side	30 KHz	-35			
	100 KHz	-40			
	1100 KHz	-60			
CUTOFF FREQUENCY	6 KHz		3		
Return Loss Referenced to ANSI T1.413 ZNL-r,complex impedance	200 Hz	-15			
	600 Hz	-15			
	2200 Hz	-12			
	3400 Hz	-8			
Longitudinal Balance	1000 Hz	-50			
	4000 Hz	-50			
Total DC Resistance				25	Ω

Mechanical



Schematic

