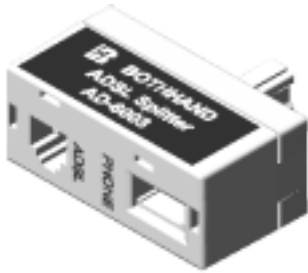




P/N: AD-6003 DATA SHEET

Feature

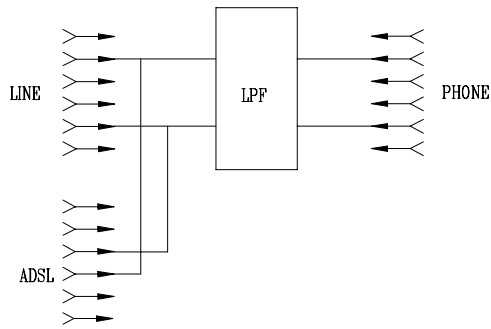


- Compatible package, includes connectors for ease of installation.
- Design for G.lite Application.
- 100mA DC Loop Current Capacity.
- Operating temperature range: 0°C to +60°C.
- Storage temperature range: -25°C to +75°C.

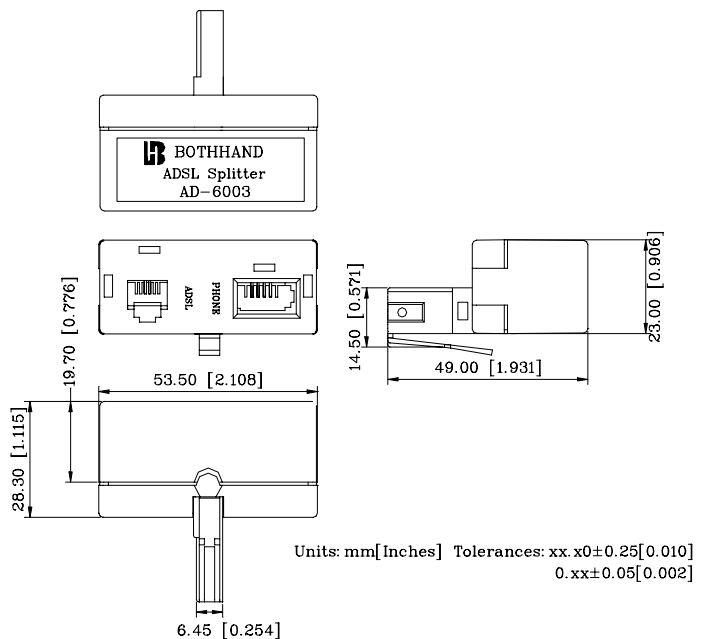
Specifications

POTS Port Impedance	320ohm+230nF//1050ohm	DC Resistance each line	12.5ohm Max
Insertion Loss @ 1004Hz	-1dB Max	Return Loss @ 200Hz-500Hz	-14 dB Min
3dB Cut off Frequency	10KHz Typ	@ 500Hz-2KHz	-18 dB Min
Attenuation @ 25KHz-50KHz	-15dB Min	@ 2KHz-3.4KHz	-14 dB Min
@ 50KHz-1MHz	-25dB Min		
In Band Ripple	1dB Max		
Longitudinal Balance @ 200Hz~3KHz	-53dB Min		
POTS Tip and Ring DC Voltage	0-105V		

Schematic



Mechanical



Connector	Function	Style	Tip	Ring
J1	Line	BT-M	Pin2	Pin5
J2	Phone	BT-F	Pin2	Pin5
J3	ADSL	RJ11	Pin4	Pin3