



ADSL CPE SIDE SPLITTER

P/N: AD-8039F DATA SHEET

Feature

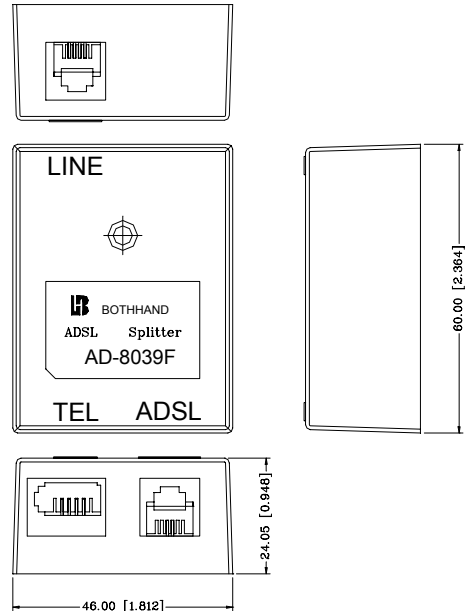
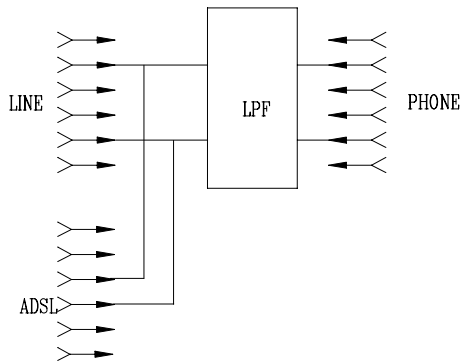


- Compact package, includes connectors for ease of installation.
- Design for G.lite Application.
- 100mA DC Loop Current Capacity.
- Operating temperature range: -10°C to +60°C.
- Storage temperature range: -25°C to +75°C.

Electrical Specifications @ 25°C				
POTS Port Impedance	320Ω+230nF // 1050Ω		Pots Tip and Ring DC Voltage	0-105V
Insertion Loss	@1004Hz	-1.1dB Max	DC Resistance each line	25Ω Max
3dB Cutoff Frequency		10KHZ Typ	Return Loss	@200Hz-500Hz -12 dB Min
Attenuation	@32K-200KHz	-29dB Min		@500Hz-2KHz -12 dB Min
	@200K-1MHz	-55dB Min		@2KHz-3.4KHz -12 dB Min
In Band Ripple		1 dB Max		@3.4KHz-4KHz -8 dB Min
Longitudinal Balance	@200Hz-3KHz	-45dB Min	Group Delay	@200-4KHz <200uS

Schematic

Mechanical



Units: mm[Inches] Tolerance: xx.x0±0.25[0.010]
0.xx±0.05[0.002]

Connector	Function	Style	Tip	Ring
J1	Line	RJ11	Pin2	Pin5
J2	Phone	BT-F	Pin2	Pin5
J3	ADSL	RJ11	Pin3	Pin4