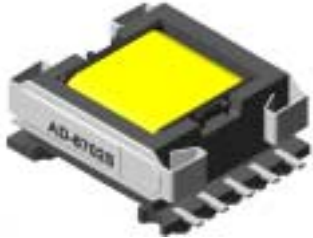




TRANSFORMER

P/N: AD-8702S DATA SHEET

Feature



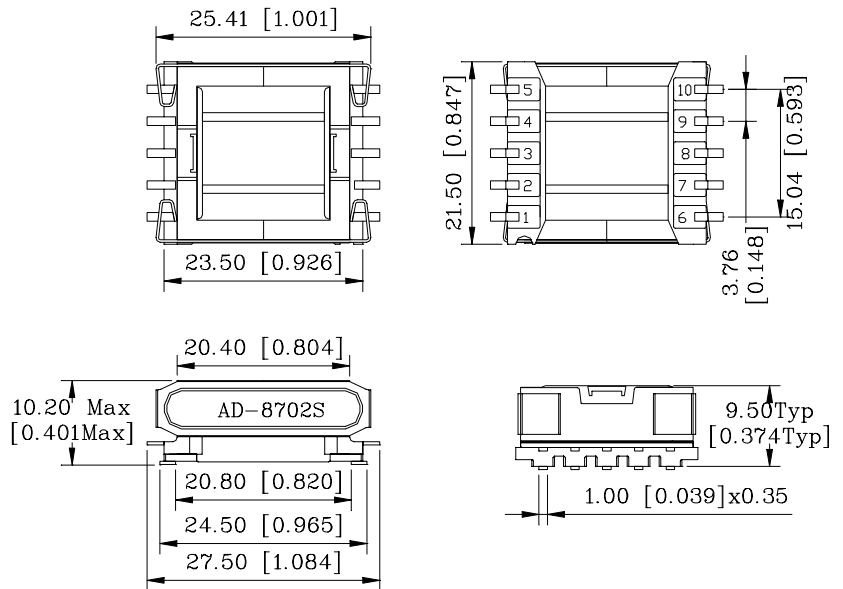
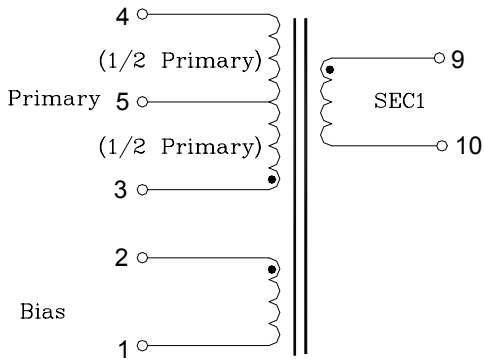
- Small Packages in EFD20 SMD Type.
- Magnetic Core : Philips CHD20-3F3-A160-S.
- Operating temperature : -10°C to +60°C.
- Storage temperature : -25°C to +75°C.

Electrical Specifications @ 25°C

Part Number	Turn Ratio(±2%)		Application	Inductance (μH±7%) @100KHz/100mV				DCR (Max)				HI-POT (Vdc)
	9-10:3-4	9-10:2-1		2-1	3-5	9-10	5-4	1-2	3-5	9-10	5-4	
AD-8702S	1:4.5	1:2.5	Inductor	527.3	421.4	80.2	420.6	0.4Ω	65mΩ	45 mΩ	70 mΩ	500

Schematic

Mechanical



Units: mm [Inches] Tolerance: xx.x0±0.25 [0.010]  
0.xx±0.05 [0.002]