



BOTHHAND ENTERPRISE INC.

# ADSL POTS LOW PASS FILTERS FOR G.LITE APPLICATIONS

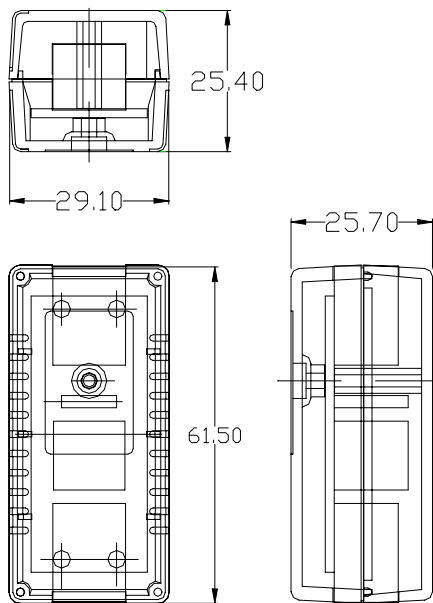
**P/N: AD2063**

For applications where both data and voice are transmitted over the same copper pair  
Compact package, includes RJ-11 connectors for ease of installation  
Will pass only voice band signals while attenuating the higher ADSL data frequency

## Electrical Specifications @ 25°C

| PARAMETER   | FREQUENCY | MIN. | NOM.  | MAX.  | UNITS |
|---|-----------|------|-------|-------|-------|
| <b>POT Insertion Loss</b><br>900Ωline Side<br>600ΩPhone Side                | 200 Hz    |      |       | ± 1.0 | dB    |
|   | 1000 Hz   |      |       | ± 1.0 |       |
|   | 3400 Hz   |      |       | ± 1.0 |       |
|   | 4000 Hz   |      |       | ± 1.0 |       |
| <b>ADSL Insertion Loss</b><br>100Ωline Side<br>600ΩPhone Side               | 30 KHz    |      | ± 2.0 |       |       |
|   | 100 KHz   | -40  |       |       |       |
|   | 1100 KHz  | -60  |       |       |       |
| <b>Return Loss</b><br>Referenced to ANSI T1.413<br>ZNL-r, complex impedance | 200 Hz    | -15  |       |       |       |
|   | 600 Hz    | -15  |       |       |       |
|   | 2200 Hz   | -12  |       |       |       |
|   | 3400 Hz   | -8   |       |       |       |
| <b>Longitudinal Balance</b>   | 1000 Hz   | -50  |       |       |       |
|   | 4000 Hz   | -50  |       |       |       |
| <b>Total DC Resistance</b>  |           |      |       | 2.5   | Ω     |

## Mechanical



## Schematic

